

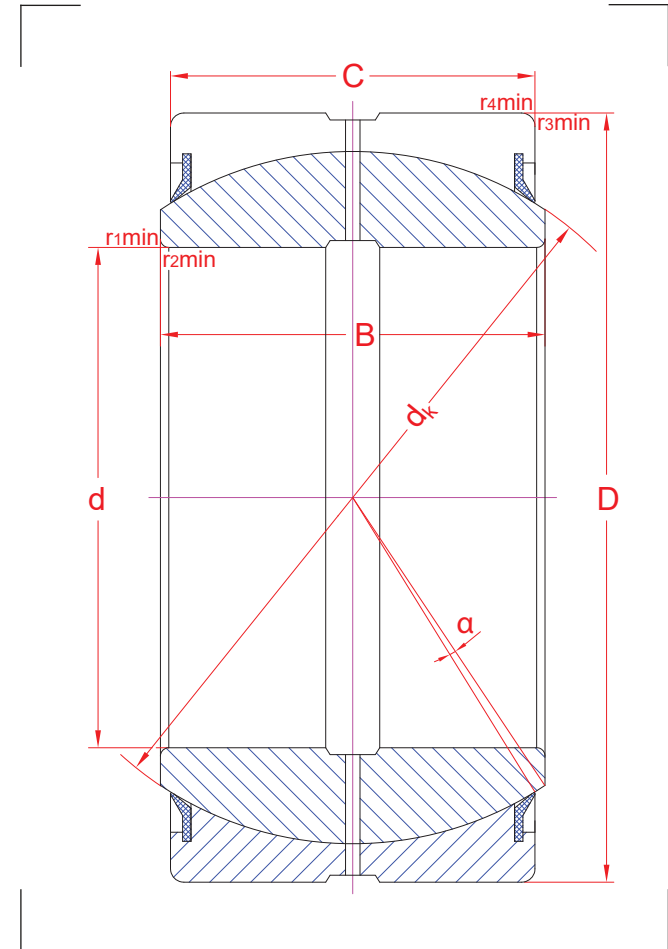
Steel/steel sealed spherical plain bearings

| | | |
|------|----------|----------|
| WR02 | GR310120 | MA300120 |
|------|----------|----------|

GE 110 ES2RS

| Main boundary dimensions (mm) | |
|-------------------------------|-----|
| d | 110 |
| D | 160 |
| B | 70 |
| C | 55 |
| d_k | 140 |

| Technical data | | | |
|---|-------|-----------------------|-------------|
| Basic load ratings (kN) | Dyn. | C_r | 642 |
| | Stat. | C_{0r} | 3185 |
| Mass (kg) | | | 4,8 |
| Radius min (mm) | | r₁ | 1,0 |
| | | r₂ | 1,0 |
| | | r₃ | 1,0 |
| | | r₄ | 1,0 |
| Allowable misalignment angle α (°) | | | 6 |
| Bearing clearance (mm) | | | 0,085/0,165 |



Technical notes

- Contact seals on both sides
- Annular groove and lubrication holes in outer and inner rings
- For general industry purpose

The sketch is for reference only and may not be representative or indicative of the actual product. Sketch scale is free.

Also refer to RKB Affidavit of Conformance for related compliance to International Standards.

Every care has been taken to ensure the accuracy of the information in the present drawing, but no liability can be accepted for any errors or omissions contained herein, or in case losses and/or damages (direct, indirect, consequential) should occur.

RKB Bearing Industries reserves the right of any amendment without notice.