

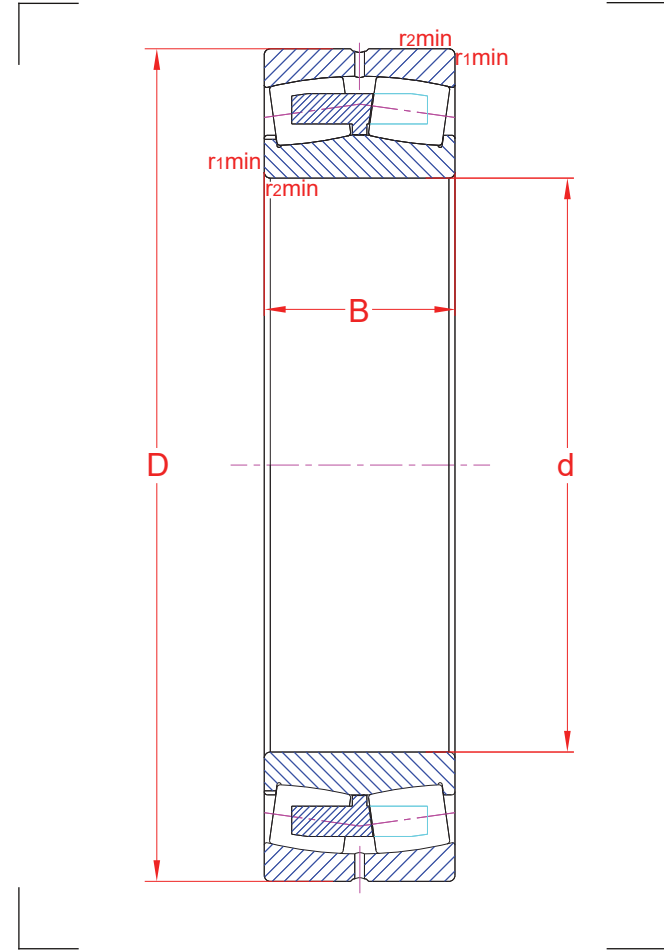
# Spherical roller bearings

R02	GR260319	MA260319
-----	----------	----------

22218 CAW33

Main boundary dimensions (mm)	
<b>d</b>	90
<b>D</b>	160
<b>B</b>	40

Technical data			
Basic load ratings (kN)	Dyn.	<b>C<sub>r</sub></b>	328
	Stat.	<b>C<sub>0r</sub></b>	373
Mass (kg)		3,36	
Cage material		Brass	
Radius min (mm)	<b>r<sub>1</sub></b>	2,0	
	<b>r<sub>2</sub></b>	2,0	
	<b>r<sub>3</sub></b>	-	
	<b>r<sub>4</sub></b>	-	
Precision class		P0	
<b>e</b>		0,23	
Bearing clearance (mm)		CN	



Technical notes
<ul style="list-style-type: none"> <li>- Reference speed 3500 rpm</li> <li>- Limiting speed 4700 rpm</li> <li>- Double pronged machined brass cage</li> <li>- Annular groove and lubrication holes in outer ring</li> <li>- For general industry purpose</li> </ul>

The sketch is for reference only and may not be representative or indicative of the actual product. Sketch scale is free.

Also refer to RKB Affidavit of Conformance for related compliance to International Standards.

Every care has been taken to ensure the accuracy of the information in the present drawing, but no liability can be accepted for any errors or omissions contained herein, or in case losses and/or damages (direct, indirect, consequential) should occur.

RKB Bearing Industries reserves the right of any amendment without notice.