

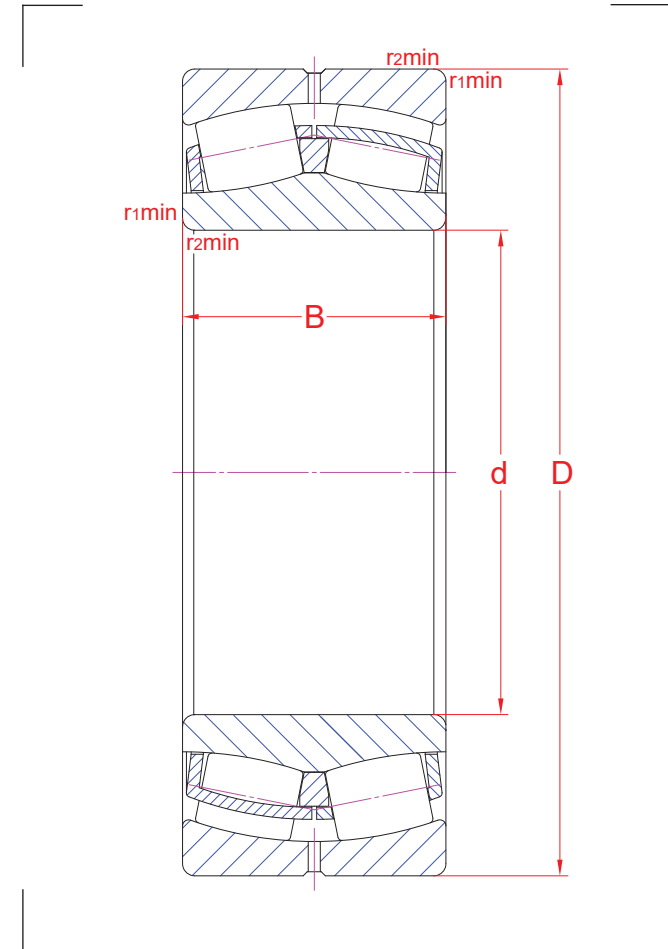
# Spherical roller bearings

R01	LT150218	MA/RD150218
-----	----------	-------------

22219 CCW33

Main boundary dimensions (mm)	
<b>d</b>	95
<b>D</b>	170
<b>B</b>	43

Technical data			
Basic load ratings (kN)	Dyn.	<b>C<sub>r</sub></b>	385
	Stat.	<b>C<sub>0r</sub></b>	441
Mass (kg)		4,15	
Cage material		Pressed steel	
Radius min (mm)	<b>r<sub>1</sub></b>	2,1	
	<b>r<sub>2</sub></b>	2,1	
	<b>r<sub>3</sub></b>	-	
	<b>r<sub>4</sub></b>	-	
Precision class		P0	
<b>e</b>		0,24	
Bearing clearance (mm)		CN	
Configuration/Design		222/CC/W33	



Technical notes
<ul style="list-style-type: none"> <li>- Reference speed 3400 rpm</li> <li>- Limiting speed 4000 rpm</li> <li>- Pressed steel cage</li> <li>- Annular groove and lubrication holes in outer ring</li> <li>- For general industry purpose</li> </ul>

Sketch scale is free.  
 Also refer to RKB Affidavit of Conformance (LJSA) for related compliance to International Standards.  
 Every care has been taken to ensure the accuracy of the information in the present drawing but no liability can be accepted for any errors or omissions contained herein, or in case losses and/or damages (direct, indirect, consequential) should occur.  
 RKB Bearing Industries reserves the right of any amendment without notice.