

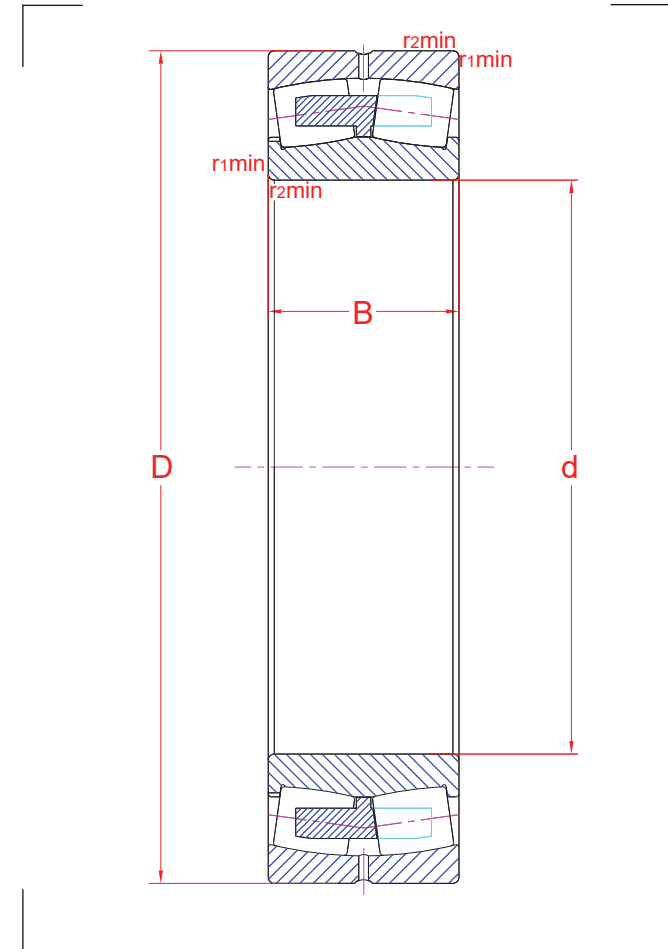
Spherical roller bearings

R01	VR180518	MA/VR180518
-----	----------	-------------

22224 CAC3W33

Main boundary dimensions (mm)	
d	120
D	215
B	58

Technical data			
Basic load ratings (kN)	Dyn.	C_r	639
	Stat.	C_{0r}	750
Mass (kg)		8,7	
Cage material		Brass	
Radius min (mm)	r₁	2,1	
	r₂	2,1	
	r₃	-	
	r₄	-	
Precision class		P0	
e		0,26	
Bearing clearance (mm)		C3	
Configuration/Design		222/CA/W33	



Technical notes

- Reference speed 2700 rpm
- Limiting speed 3200 rpm
- Double pronged machined brass cage
- Annular groove and lubrication holes in outer ring
- For general industry purpose

Sketch scale is free.

Also refer to RKB Affidavit of Conformance (LJSA) for related compliance to International Standards.

Every care has been taken to ensure the accuracy of the information in the present drawing but no liability can be accepted for any errors or omissions contained herein, or in case losses and/or damages (direct, indirect, consequential) should occur. RKB Bearing Industries reserves the right of any amendment without notice.