

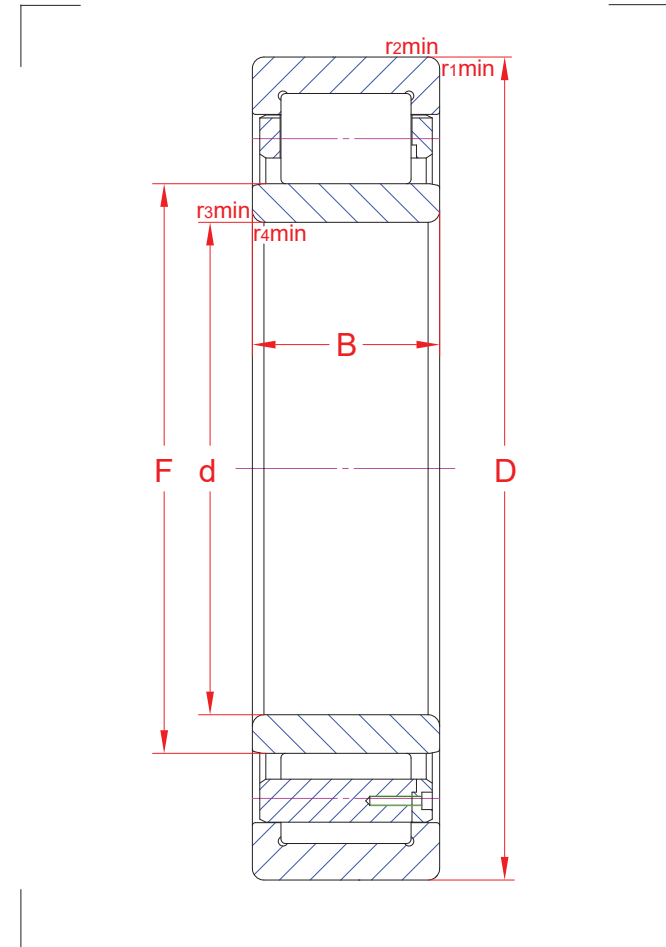
Cylindrical roller bearings

R02	GR170221	MA170221
-----	----------	----------

NU 2276 EMASC3RZBS1

Main boundary dimensions (mm)	
d	380
D	680
B	175
F	451

Technical data			
Basic load ratings (kN)	Dyn.	C_r	4007
	Stat.	C_{0r}	6360
Mass (kg)		278,0	
Cage material		Brass	
Min chamfer dimensions (mm)	r₁	6,0	
	r₂	6,0	
	r₃	6,0	
	r₄	6,0	
Precision class		P0	
e		-	
Bearing clearance (mm)		0,300/0,380	



Technical notes
<ul style="list-style-type: none"> - Reference speed 800 rpm. Limiting speed 1100 rpm - Permissible axial displacement 8,3 mm - Optimized internal design with reinforced execution - Optimized roller profile for improved load distribution - Machined brass cage guided on outer ring with lubrication grooves in the guiding surface - Bearing rings heat stabilized for operating temperatures up to 200 °C - For general industry purpose

The sketch is for reference only and may not be representative or indicative of the actual product. Sketch scale is free.

Also refer to RKB Affidavit of Conformance for related compliance to International Standards.

Every care has been taken to ensure the accuracy of the information in the present drawing, but no liability can be accepted for any errors or omissions contained herein, or in case losses and/or damages (direct, indirect, consequential) should occur.

RKB Bearing Industries reserves the right of any amendment without notice.