

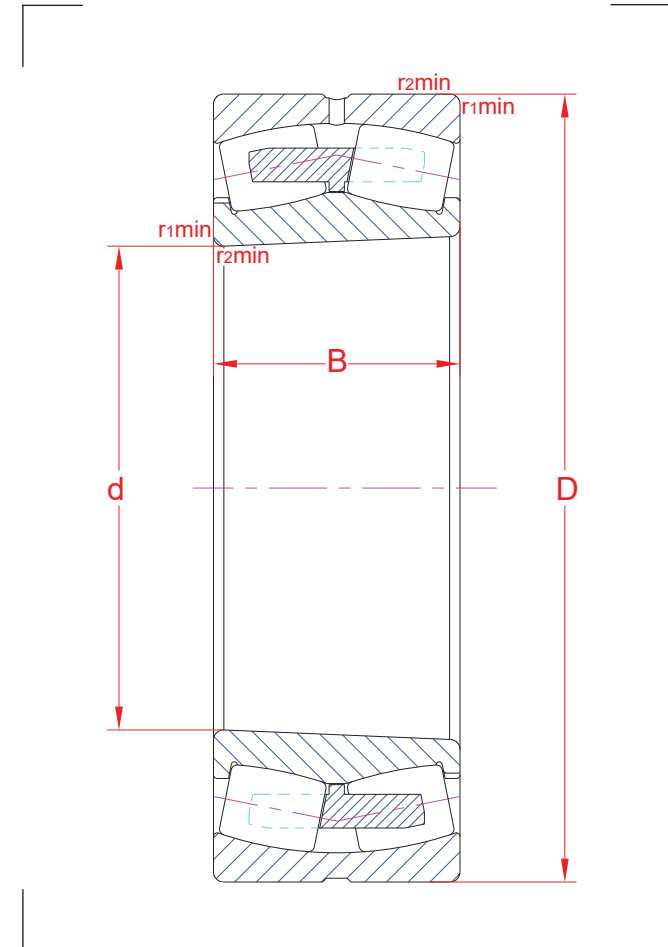
# Spherical roller bearings

R01	CT301118	MA301118
-----	----------	----------

22240 KCAW33S1

Main boundary dimensions (mm)	
<b>d</b>	200
<b>D</b>	360
<b>B</b>	98

Technical data			
<b>Basic load ratings (kN)</b>	Dyn.	<b>C<sub>r</sub></b>	1505
	Stat.	<b>C<sub>0r</sub></b>	1920
<b>Mass (kg)</b>		42,9	
<b>Cage material</b>		Brass	
<b>Radius min (mm)</b>	<b>r<sub>1</sub></b>	4,0	
	<b>r<sub>2</sub></b>	4,0	
	<b>r<sub>3</sub></b>	-	
	<b>r<sub>4</sub></b>	-	
<b>Precision class</b>		P0	
<b>e</b>		0,26	
<b>Bearing clearance (mm)</b>		CN	



### Technical notes

- Reference speed 1500 rpm. Limiting speed 1900 rpm
- Tapered bore, taper 1:12
- Double pronged machined brass cage
- Annular groove and lubrication holes in outer ring
- Bearing rings heat stabilized for operating temperatures up to 200 °C
- For general industry purpose

The sketch is for reference only and may not be representative or indicative of the actual product. Sketch scale is free.

Also refer to RKB Affidavit of Conformance for related compliance to International Standards.

Every care has been taken to ensure the accuracy of the information in the present drawing, but no liability can be accepted for any errors or omissions contained herein, or in case losses and/or damages (direct, indirect, consequential) should occur.

RKB Bearing Industries reserves the right of any amendment without notice.