

# Spherical roller bearings

OV300315

22310 CCC3W33

## Main boundary dimensions (mm)

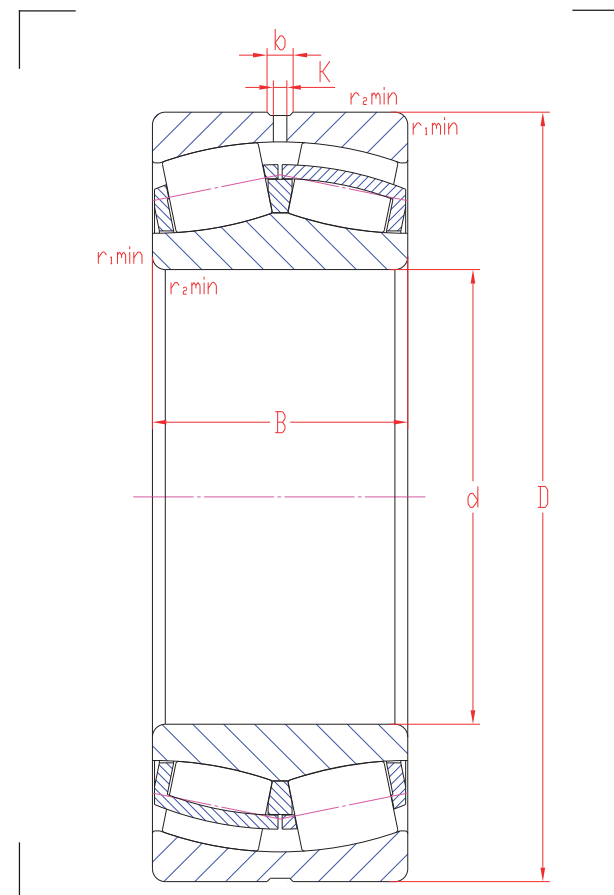
<b>d</b>	50
<b>D</b>	110
<b>B</b>	40

## Technical data

<b>Basic load ratings (kN)</b>	Dyn.	<b>C<sub>r</sub></b>	213
	Stat.	<b>C<sub>0r</sub></b>	223
<b>Mass (kg)</b>		1,9	
<b>Cage material</b>		Pressed steel	
<b>Radius min (mm)</b>	<b>r<sub>1</sub></b>	2,0	
	<b>r<sub>2</sub></b>	2,0	
	<b>r<sub>3</sub></b>	-	
	<b>r<sub>4</sub></b>	-	
<b>Precision class</b>		P0	
<b>e</b>		0,37	
<b>Radial clearance (mm)</b>		C3	
<b>Configuration/Design</b>		223/CCW33	

## Technical notes

- Annular groove and lubrication holes in outer ring b;K (suffix W33)
- Speed rating oil lubrication 4640 rpm
- For general industry purpose



Sketch scale is free.

Also refer to RKB Affidavit of Conformance (LJISA) for related compliance to International Standards.

Every care has been taken to ensure the accuracy of the information in the present drawing but no liability can be accepted for any errors or omissions contained herein, or in case losses and/or damages (direct, indirect, consequential) should occur.

RKB Bearing Industries reserves the right of any amendment without notice.