

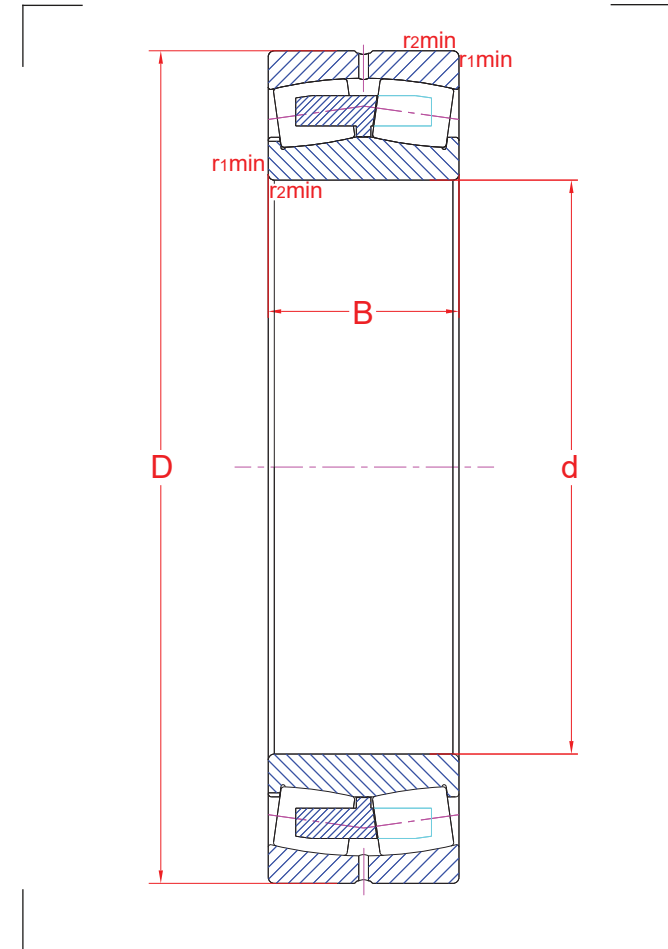
# Spherical roller bearings

R01	AB280218	MA/VR270218
-----	----------	-------------

22313 CAW33

Main boundary dimensions (mm)	
d	65
D	140
B	48

Technical data			
Basic load ratings (kN)	Dyn.	$C_r$	350
	Stat.	$C_{0r}$	353
Mass (kg)		3,57	
Cage material		Brass	
Radius min (mm)	$r_1$	2,1	
	$r_2$	2,1	
	$r_3$	-	
	$r_4$	-	
Precision class		P0	
e		0,35	
Bearing clearance (mm)		CN	
Configuration/Design		223/CA/W33	



## Technical notes

- Reference speed 3600 rpm
- Limiting speed 4300 rpm
- Double pronged machined brass cage
- Annular groove and lubrication holes in outer ring
- For general industry purpose

Sketch scale is free.

Also refer to RKB Affidavit of Conformance (LJSA) for related compliance to International Standards.

Every care has been taken to ensure the accuracy of the information in the present drawing but no liability can be accepted for any errors or omissions contained herein, or in case losses and/or damages (direct, indirect, consequential) should occur. RKB Bearing Industries reserves the right of any amendment without notice.