

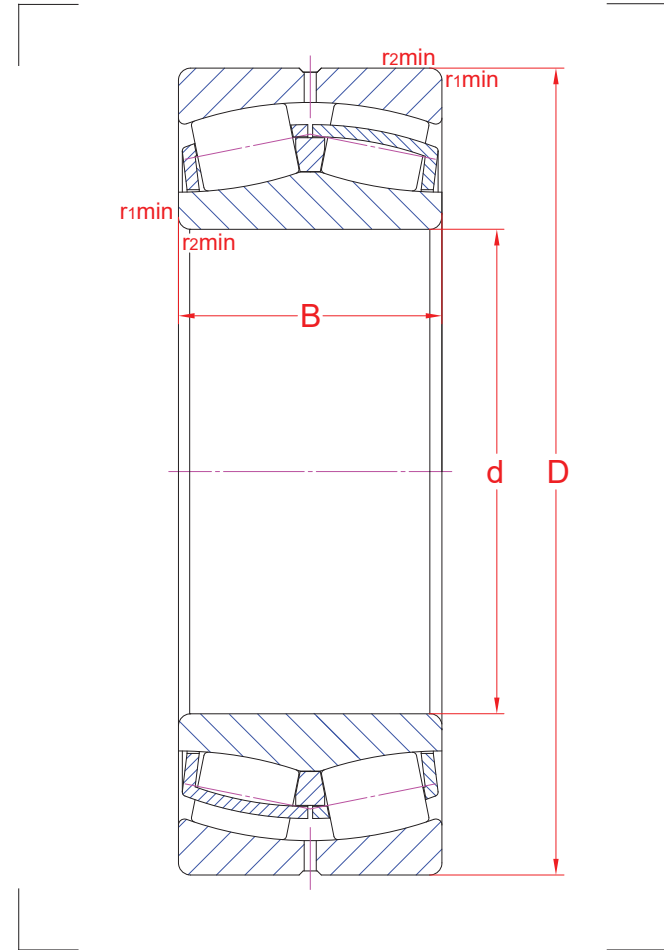
# Spherical roller bearings

R02	MA171121	MA/DA171121
-----	----------	-------------

22318 CCC3W33S1

Main boundary dimensions (mm)	
<b>d</b>	90
<b>D</b>	190
<b>B</b>	64

Technical data			
Basic load ratings (kN)	Dyn.	<b>C<sub>r</sub></b>	638
	Stat.	<b>C<sub>0r</sub></b>	690
Mass (kg)		9,05	
Cage material		Pressed steel	
Min chamfer dimensions (mm)	<b>r<sub>1</sub></b>	3,0	
	<b>r<sub>2</sub></b>	3,0	
	<b>r<sub>3</sub></b>	-	
	<b>r<sub>4</sub></b>	-	
Precision class		P0	
<b>e</b>		0,33	
Bearing clearance (mm)		C3	



Technical notes
<ul style="list-style-type: none"> <li>- Reference speed 2400 rpm</li> <li>- Limiting speed 3200 rpm</li> <li>- Pressed steel cage</li> <li>- Annular groove and lubrication holes in outer ring</li> <li>- Bearing rings heat stabilized for operating temperatures up to 200 °C</li> <li>- For general industry purpose</li> </ul>

The sketch is for reference only and may not be representative or indicative of the actual product. Sketch scale is free. Also refer to RKB Affidavit of Conformance for related compliance to International Standards.

Every care has been taken to ensure the accuracy of the information in the present drawing, but no liability can be accepted for any errors or omissions contained herein, or in case losses and/or damages (direct, indirect, consequential) should occur. RKB Bearing Industries reserves the right of any amendment without notice.

RUNIBF-YLS-H