

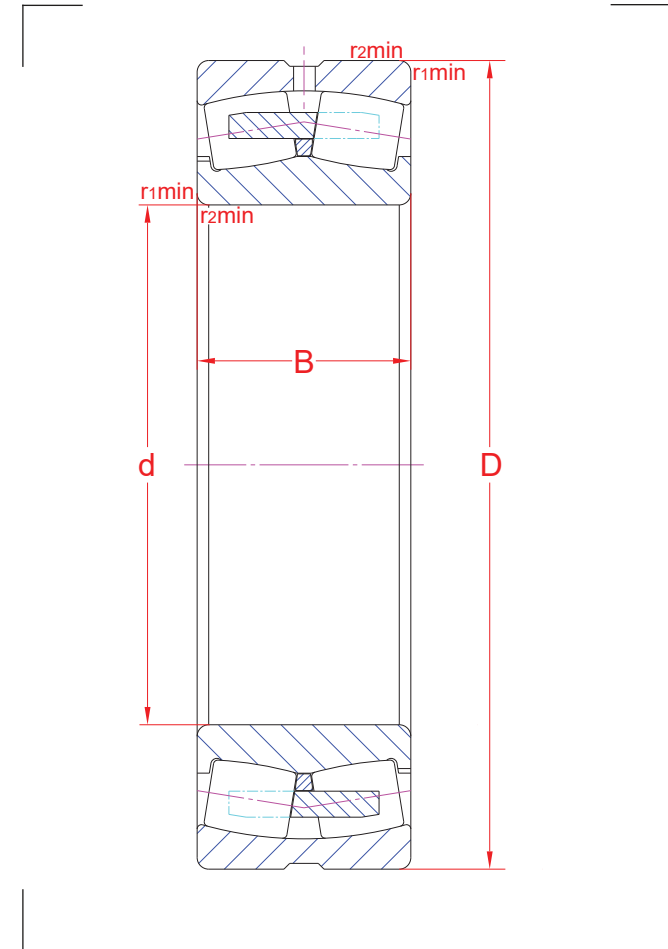
# Spherical roller bearings

R02	MA150620	GR120620
-----	----------	----------

22320 CAW33

Main boundary dimensions (mm)	
<b>d</b>	100
<b>D</b>	215
<b>B</b>	73

Technical data			
Basic load ratings (kN)	Dyn.	<b>C<sub>r</sub></b>	860
	Stat.	<b>C<sub>0r</sub></b>	948
Mass (kg)		13,3	
Cage material		Brass	
Min chamfer dimensions (mm)	<b>r<sub>1</sub></b>	3,0	
	<b>r<sub>2</sub></b>	3,0	
	<b>r<sub>3</sub></b>	-	
	<b>r<sub>4</sub></b>	-	
Precision class		P0	
<b>e</b>		0,35	
Bearing clearance (mm)		CN	



## Technical notes

- Reference speed 2200 rpm
- Limiting speed 2700 rpm
- Double pronged machined brass cage
- Annular groove and lubrication holes in outer ring
- For general industry purpose

The sketch is for reference only and may not be representative or indicative of the actual product. Sketch scale is free.

Also refer to RKB Affidavit of Conformance for related compliance to International Standards.

Every care has been taken to ensure the accuracy of the information in the present drawing, but no liability can be accepted for any errors or omissions contained herein, or in case losses and/or damages (direct, indirect, consequential) should occur.

RKB Bearing Industries reserves the right of any amendment without notice.