

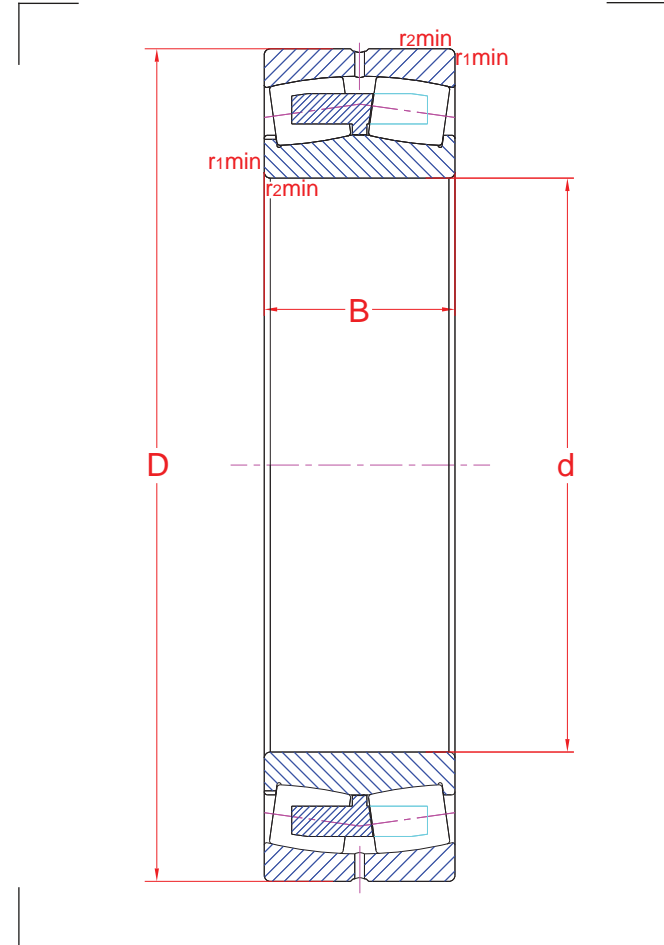
Spherical roller bearings

R01	MA220618	VR220618
-----	----------	----------

23138 CAW33

Main boundary dimensions (mm)	
d	190
D	320
B	104

Technical data			
Basic load ratings (kN)	Dyn.	C_r	1427
	Stat.	C_{0r}	2038
Mass (kg)		34,1	
Cage material		Brass	
Radius min (mm)	r₁	3,0	
	r₂	3,0	
	r₃	-	
	r₄	-	
Precision class		P0	
e		0,31	
Bearing clearance (mm)		CN	
Configuration/Design		231/CA/W33	



Technical notes
<ul style="list-style-type: none"> - Reference speed 1400 rpm - Limiting speed 1600 rpm - Double pronged machined brass cage - Annular groove and lubrication holes in outer ring - For general industry purpose

The sketch is for reference only and may not be representative or indicative of the actual product. Sketch scale is free.

Also refer to RKB Affidavit of Conformance for related compliance to International Standards.

Every care has been taken to ensure the accuracy of the information in the present drawing, but no liability can be accepted for any errors or omissions contained herein, or in case losses and/or damages (direct, indirect, consequential) should occur.

RKB Bearing Industries reserves the right of any amendment without notice.