

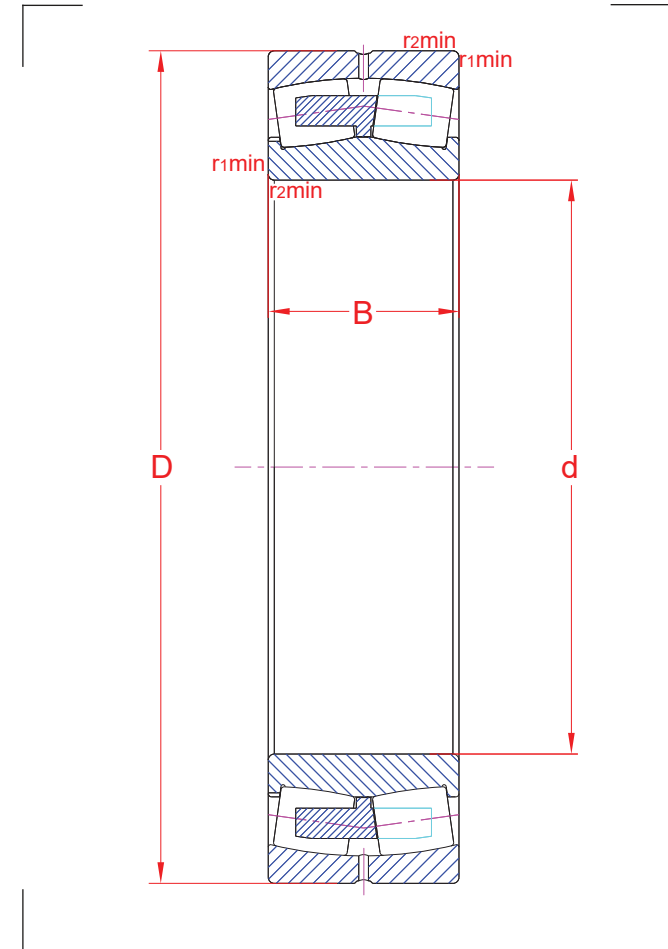
Spherical roller bearings

| | | |
|-----|----------|----------|
| R01 | MA310120 | GR310120 |
|-----|----------|----------|

23220 CAC3W33

| Main boundary dimensions (mm) | |
|-------------------------------|------|
| d | 100 |
| D | 180 |
| B | 60,3 |

| Technical data | | | |
|-------------------------|----------------------|-----------------------|-----|
| Basic load ratings (kN) | Dyn. | C_r | 502 |
| | Stat. | C_{0r} | 590 |
| Mass (kg) | | 6,5 | |
| Cage material | | Brass | |
| Radius min (mm) | r₁ | 2,1 | |
| | r₂ | 2,1 | |
| | r₃ | - | |
| | r₄ | - | |
| Precision class | | P0 | |
| e | | 0,33 | |
| Bearing clearance (mm) | | C3 | |



| Technical notes |
|---|
| <ul style="list-style-type: none"> - Reference speed 2200 rpm - Limiting speed 3000 rpm - Double pronged machined brass cage - Annular groove and lubrication holes in outer ring - For general industry purpose |

The sketch is for reference only and may not be representative or indicative of the actual product. Sketch scale is free.

Also refer to RKB Affidavit of Conformance for related compliance to International Standards.

Every care has been taken to ensure the accuracy of the information in the present drawing, but no liability can be accepted for any errors or omissions contained herein, or in case losses and/or damages (direct, indirect, consequential) should occur.

RKB Bearing Industries reserves the right of any amendment without notice.