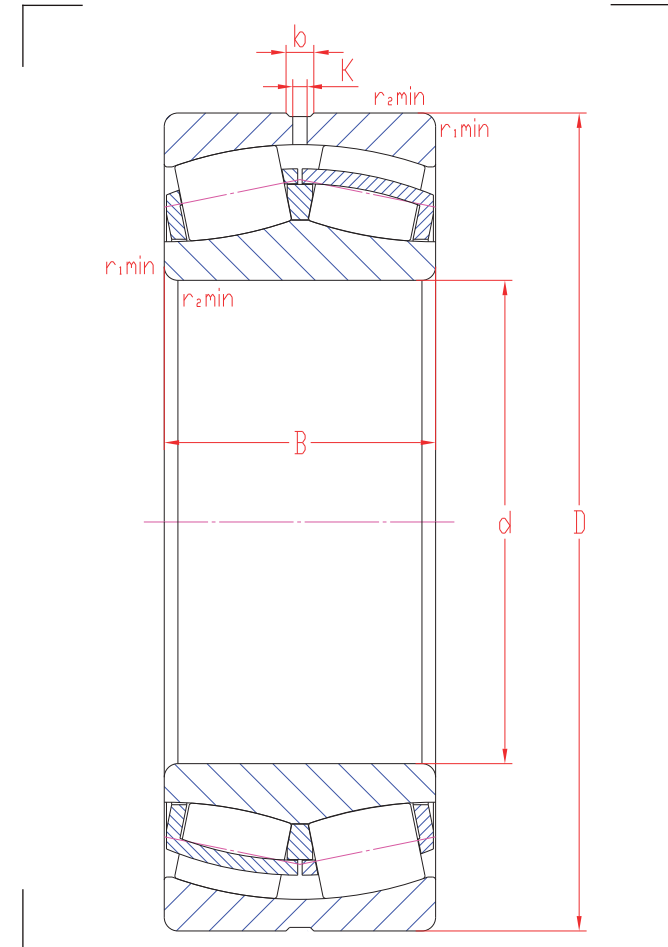


Spherical roller bearings

24048 ECCCW33XS1VL/4

Main boundary dimensions (mm)	
d	240
D	360
B	118

Technical data			
Basic load ratings (kN)	Dyn.	C_r	1560
	Stat.	C_{0r}	2660
Mass (kg)		42,0	
Cage material		Pressed steel	
Radius min (mm)	r₁	3,0	
	r₂	3,0	
	r₃	-	
	r₄	-	
Precision class		P0	
e		0,30	
Bearing clearance (mm)		C3	
Configuration/Design		240/ECCW33X/VL/4	



Technical notes

- Victory Line premium class (suffix VL)
- Through-hardened steel for rings and rollers (RKB SAE52100) with bainite treatment for extended service life
- Annular groove and 6 lubrication holes dia.6 in outer ring b;K (suffix W33X)
- Reinforced execution (E-Type). Rings dimensionally stabilized S1
- Speed rating oil lubrication 1000 rpm
- For general industry purpose

Sketch scale is free.

Also refer to RKB Affidavit of Conformance (LJSA) for related compliance to International Standards.

Every care has been taken to ensure the accuracy of the information in the present drawing but no liability can be accepted for any errors or omissions contained herein, or in case losses and/or damages (direct, indirect, consequential) should occur. RKB Bearing Industries reserves the right of any amendment without notice.