

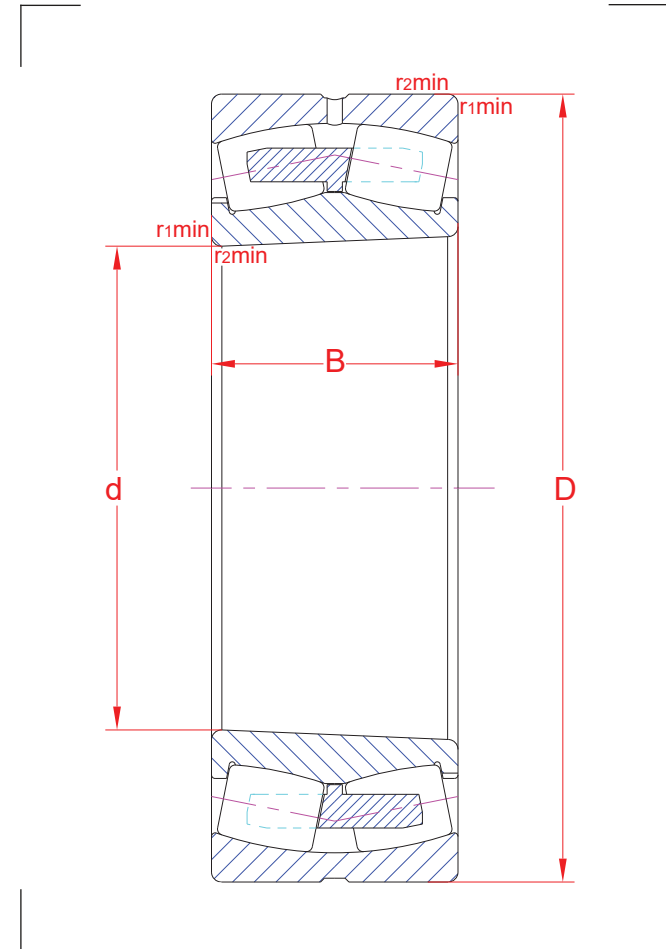
Spherical roller bearings

R00	GR011019	MA011019
-----	----------	----------

241/500 K30ECAW33XVL/A5

Main boundary dimensions (mm)	
d	500
D	830
B	325

Technical data			
Basic load ratings (kN)	Dyn.	C _r	10163
	Stat.	C _{0r}	16920
Mass (kg)		705,0	
Cage material		Brass	
Radius min (mm)	r ₁	7,5	
	r ₂	7,5	
	r ₃	-	
	r ₄	-	
Precision class		P0	
e		0,37	
Bearing clearance (mm)		CN	



Technical notes
<ul style="list-style-type: none"> - Reference speed 240 rpm. Limiting speed 330 rpm - Victory Line premium class - Optimized internal design with reinforced execution - Tapered bore, taper 1:30 - Double pronged machined brass cage - Annular groove and lubrication holes in outer ring - Quality Certificate of Conformance Data Sheet included. For general industry purpose

The sketch is for reference only and may not be representative or indicative of the actual product. Sketch scale is free.

Also refer to RKB Affidavit of Conformance for related compliance to International Standards.

Every care has been taken to ensure the accuracy of the information in the present drawing, but no liability can be accepted for any errors or omissions contained herein, or in case losses and/or damages (direct, indirect, consequential) should occur.

RKB Bearing Industries reserves the right of any amendment without notice.