

Spherical roller bearings

22211 CAC3W33

R01

RD260718

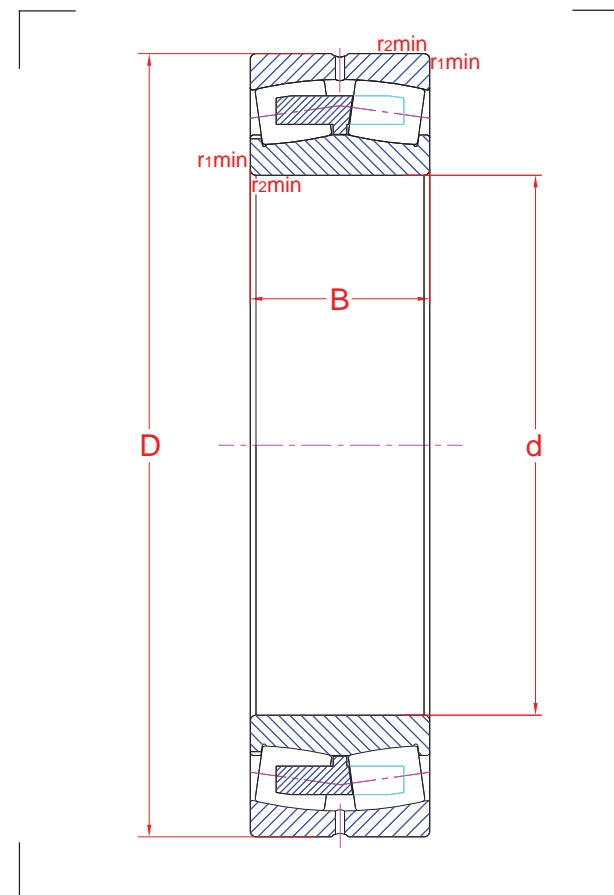
GR260718

Main boundary dimensions (mm)	
d	55
D	100
B	25

Technical data			
Basic load ratings (kN)	Dyn.	C_r	131
	Stat.	C_{0r}	127
Mass (kg)		0,84	
Cage material		Brass	
Radius min (mm)	r_1	1,5	
	r_2	1,5	
	r_3	-	
	r_4	-	
Precision class		P0	
e		0,24	
Bearing clearance (mm)		C3	
Configuration/Design		222/CA/W33	

Technical notes

- Reference speed 5700 rpm
- Limiting speed 7400 rpm
- Double pronged machined brass cage
- Annular groove and lubrication holes in outer ring
- For general industry purpose



The sketch is for reference only and may not be representative or indicative of the actual product. Sketch scale is free.

Also refer to RKB Affidavit of Conformance for related compliance to International Standards.

Every care has been taken to ensure the accuracy of the information in the present drawing, but no liability can be accepted for any errors or omissions contained herein, or in case losses and/or damages (direct, indirect, consequential) should occur.

RKB Bearing Industries reserves the right of any amendment without notice.