

Spherical roller thrust bearings

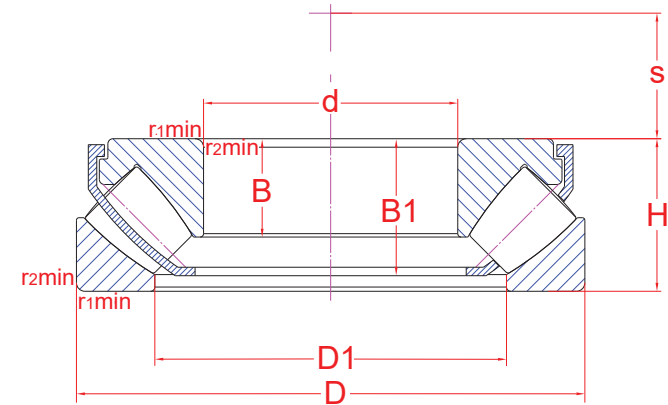
R02	MA110719	GR100719
-----	----------	----------

29340 EJ-

Main boundary dimensions (mm)	
d	200
D	340
H	85

Internal dimensions (mm)	
s	116
B	53,5
B1	75,5
D1	257

Technical data			
Basic load ratings (kN)	Dyn.	C_a	1850
	Stat.	C_{0a}	5490
Mass (kg)		28,2	
Cage material		Pressed steel	
Radius min (mm)	r₁	4,0	
	r₂	4,0	
	r₃	-	
	r₄	-	
Precision class		Normal	
e		-	
Bearing clearance (mm)		-	



Technical notes

- Reference speed 950 rpm
- Limiting speed 1500 rpm
- Optimized internal design with reinforced execution
- Pressed steel cage
- For general industry purpose

The sketch is for reference only and may not be representative or indicative of the actual product. Sketch scale is free.

Also refer to RKB Affidavit of Conformance for related compliance to International Standards.

Every care has been taken to ensure the accuracy of the information in the present drawing, but no liability can be accepted for any errors or omissions contained herein, or in case losses and/or damages (direct, indirect, consequential) should occur.

RKB Bearing Industries reserves the right of any amendment without notice.