

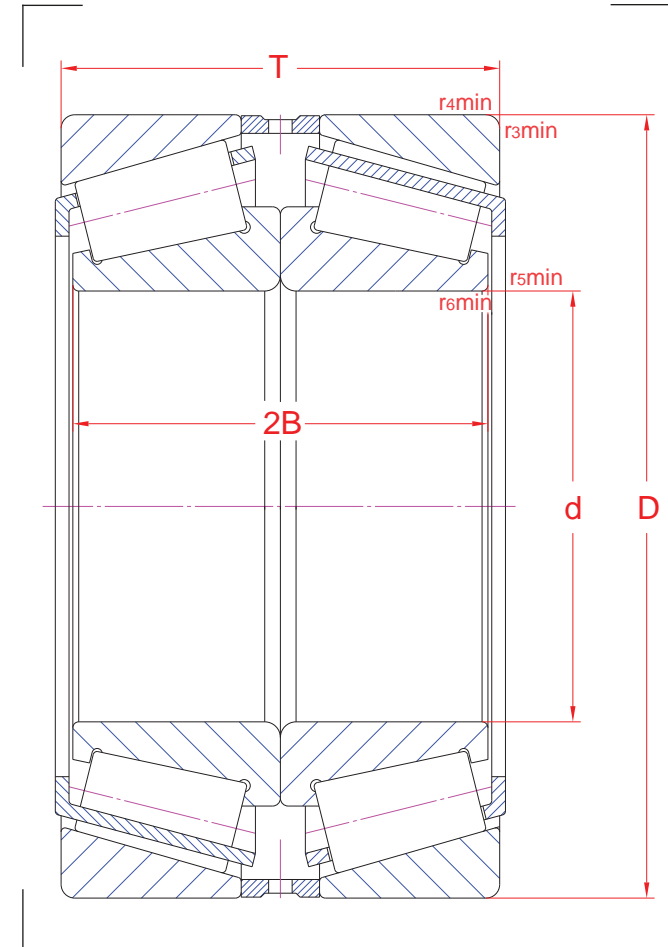
Single row taper roller bearings (paired DF arrangement)

R01	CT090818	RD090818
-----	----------	----------

32224 AEDF

Main boundary dimensions (mm)	
d	120
D	215
T	123
2B	116

Technical data			
Basic load ratings (kN)	Dyn.	C_r	991
	Stat.	C_{0r}	1380
Mass (kg)		19,2	
Cage material		Pressed steel	
Radius min (mm)	r_3	2,5	
	r_4	2,5	
	r_5	1,0	
	r_6	1,0	
Precision class		Normal	
e		0,43/K factor 1,36	
Bearing clearance (mm)		B.E.P. 0,220/0,280	
Configuration/Design		322/A/E/DF	



Technical notes
<ul style="list-style-type: none"> - Through hardened steel for rings and rollers (SAE 52100) - Reference speed 1960 rpm. Limiting speed 2590 rpm - Cup spacer 23 mm width with annular groove and lubrication holes - Standard contact angle - Optimized internal design with reinforced execution - Optimized roller profile for improved load distribution - For general industry purpose

The sketch is for reference only and may not be representative or indicative of the actual product. Sketch scale is free.

Also refer to RKB Affidavit of Conformance for related compliance to International Standards.

Every care has been taken to ensure the accuracy of the information in the present drawing, but no liability can be accepted for any errors or omissions contained herein, or in case losses and/or damages (direct, indirect, consequential) should occur.

RKB Bearing Industries reserves the right of any amendment without notice.