

Spherical roller thrust bearings

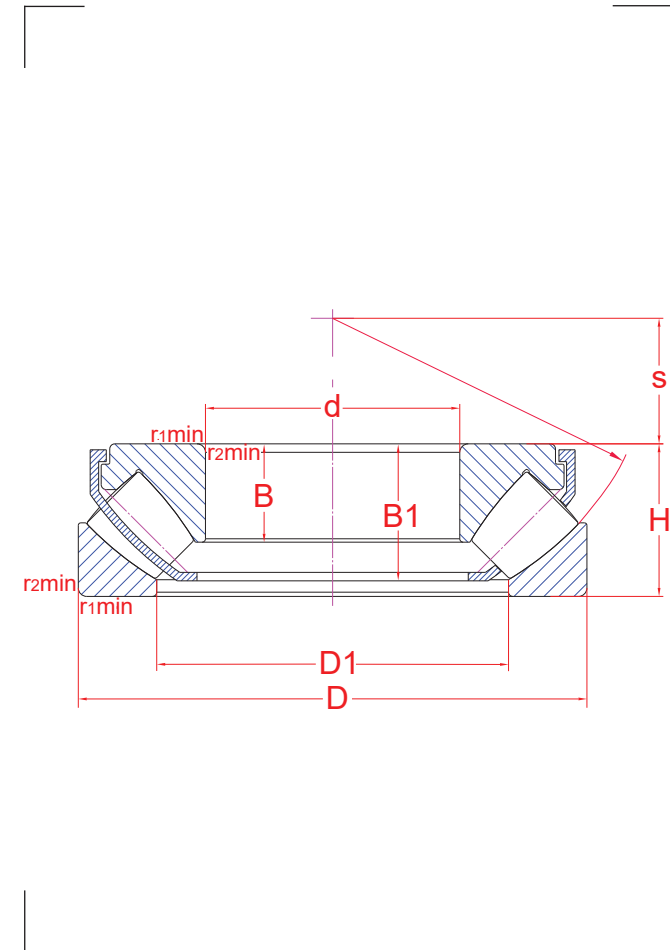
R03	MA080222	GR280122
-----	----------	----------

29416 EJ-

Main boundary dimensions (mm)	
d	80
D	170
H	54

Internal dimensions (mm)	
s	50
B	35
B1	48,1
D1	112,5

Technical data			
Basic load ratings (kN)	Dyn.	C_a	660
	Stat.	C_{0a}	1610
Mass (kg)		5,50	
Cage material		Pressed steel	
Min chamfer dimensions (mm)	r₁	2,1	
	r₂	2,1	
	r₃	-	
	r₄	-	
Precision class		P0	
e		-	
Bearing clearance (mm)		-	



Technical notes
<ul style="list-style-type: none"> - Reference speed 2100 rpm - Limiting speed 3300 rpm - Optimized internal design with reinforced execution - For general industry purpose

The sketch is for reference only and may not be representative or indicative of the actual product. Sketch scale is free. Also refer to RKB Affidavit of Conformance for related compliance to International Standards.

Every care has been taken to ensure the accuracy of the information in the present drawing, but no liability can be accepted for any errors or omissions contained herein, or in case losses and/or damages (direct, indirect, consequential) should occur. RKB Bearing Industries reserves the right of any amendment without notice.