

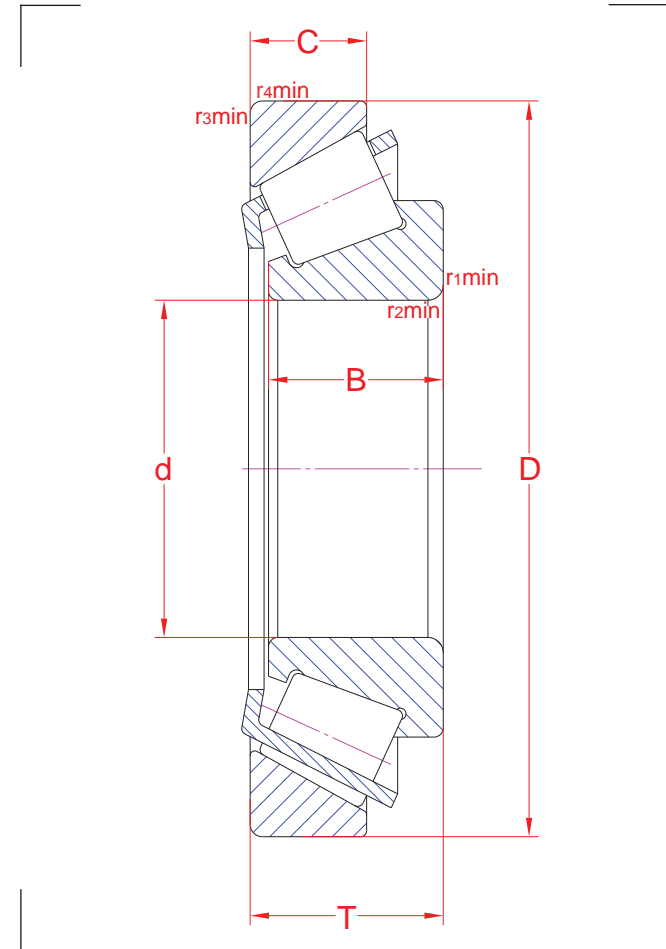
Single row taper roller bearings

| | | |
|-----|----------|-------------|
| R02 | MA281119 | MA/DC281119 |
|-----|----------|-------------|

30203 E

| Main boundary dimensions (mm) | |
|-------------------------------|-------|
| d | 17 |
| D | 40 |
| T | 13,25 |
| B | 12 |
| C | 11 |

| Technical data | | | |
|------------------------------------|----------------------|-----------------------|------|
| Basic load ratings (kN) | Dyn. | C_r | 23,5 |
| | Stat. | C_{0r} | 19,0 |
| Mass (kg) | | 0,079 | |
| Cage material | | Pressed steel | |
| Min chamfer dimensions (mm) | r₁ | 1,0 | |
| | r₂ | 1,0 | |
| | r₃ | 1,0 | |
| | r₄ | 1,0 | |
| Precision class | | Normal | |
| e | | 0,35 | |
| K | | 1,67 | |
| Bearing clearance (mm) | | - | |



Technical notes

- Through hardened steel for rings and rollers (SAE 52100)
- Reference speed 13800 rpm
- Limiting speed 15600 rpm
- Cage max protrusion 0,3 mm (cup large face side) and 2,2 mm (cup small face side)
- Optimized internal design with reinforced execution
- For general industry purpose

The sketch is for reference only and may not be representative or indicative of the actual product. Sketch scale is free.

Also refer to RKB Affidavit of Conformance for related compliance to International Standards.

Every care has been taken to ensure the accuracy of the information in the present drawing, but no liability can be accepted for any errors or omissions contained herein, or in case losses and/or damages (direct, indirect, consequential) should occur.

RKB Bearing Industries reserves the right of any amendment without notice.