

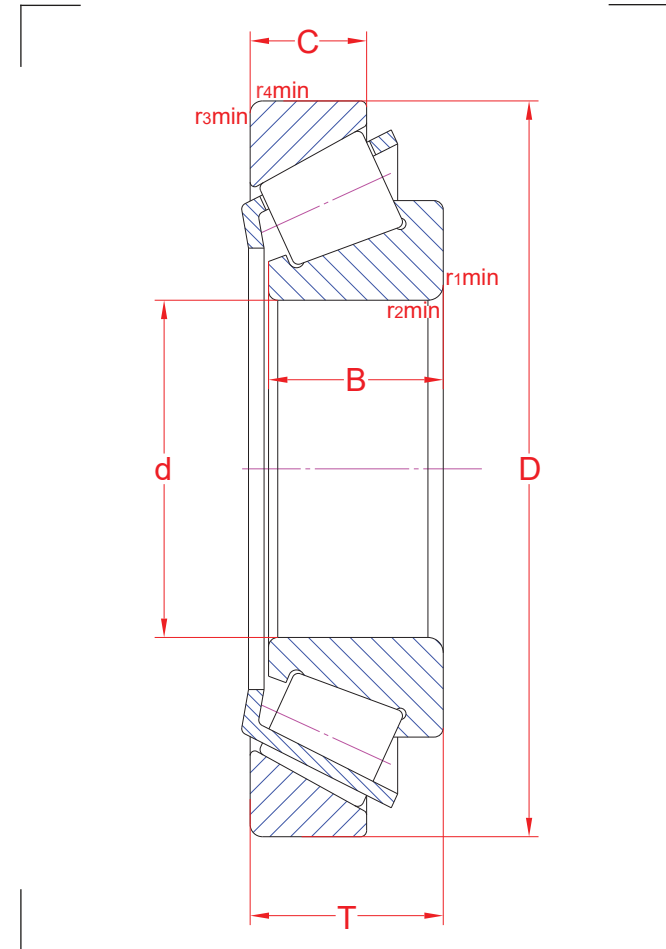
Single row taper roller bearings

R01	MA170519	GR160519
-----	----------	----------

30221 A

Main boundary dimensions (mm)	
d	105
D	190
T	39
B	36
C	30

Technical data			
Basic load ratings (kN)	Dyn.	C_r	334
	Stat.	C_{0r}	354
Mass (kg)		4,3	
Cage material		Pressed steel	
Min chamfer dimensions (mm)	r₁	3,0	
	r₂	3,0	
	r₃	2,5	
	r₄	2,5	
Precision class		Normal	
e		0,43	
K		1,36	
Bearing clearance (mm)		-	



Technical notes

- Through hardened steel for cup (SAE 52100) and cone (SAE 52100/A) and rollers (SAE 52100)
- Reference speed 2500 rpm
- Limiting speed 2940 rpm
- Cage max protrusion -1,9 mm (cup large face side) and 4,5 mm (cup small face side)
- Standard contact angle
- For general industry purpose

The sketch is for reference only and may not be representative or indicative of the actual product. Sketch scale is free.

Also refer to RKB Affidavit of Conformance for related compliance to International Standards.

Every care has been taken to ensure the accuracy of the information in the present drawing, but no liability can be accepted for any errors or omissions contained herein, or in case losses and/or damages (direct, indirect, consequential) should occur.

RKB Bearing Industries reserves the right of any amendment without notice.