

Single row taper roller bearings

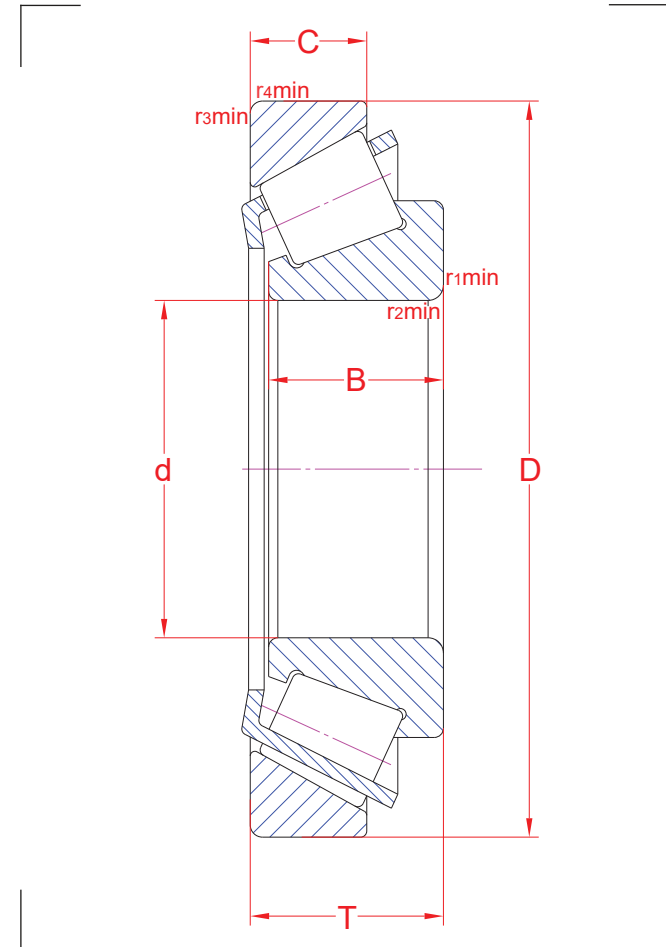
R01	LT130318	VR/RD130318
-----	----------	-------------

30310 E

Main boundary dimensions (mm)	
d	50
D	110
T	29,25
B	27
C	23

Technical data			
Basic load ratings (kN)	Dyn.	C_r	151
	Stat.	C_{0r}	137
Mass (kg)		1,25	
Cage material		Pressed steel	
Radius min (mm)	r₁	2,5	
	r₂	2,5	
	r₃	2,0	
	r₄	2,0	
Precision class		Normal	
e		0,35/K factor 1,67	
Bearing clearance (mm)		-	
Configuration/Design		303/E	

Technical notes
<ul style="list-style-type: none"> - Reference speed 5100 rpm - Limiting speed 5400 rpm - Optimized internal design with reinforced execution - For general industry purpose



Sketch scale is free.

Also refer to RKB Affidavit of Conformance (LJSA) for related compliance to International Standards.

Every care has been taken to ensure the accuracy of the information in the present drawing but no liability can be accepted for any errors or omissions contained herein, or in case losses and/or damages (direct, indirect, consequential) should occur.

RKB Bearing Industries reserves the right of any amendment without notice.