

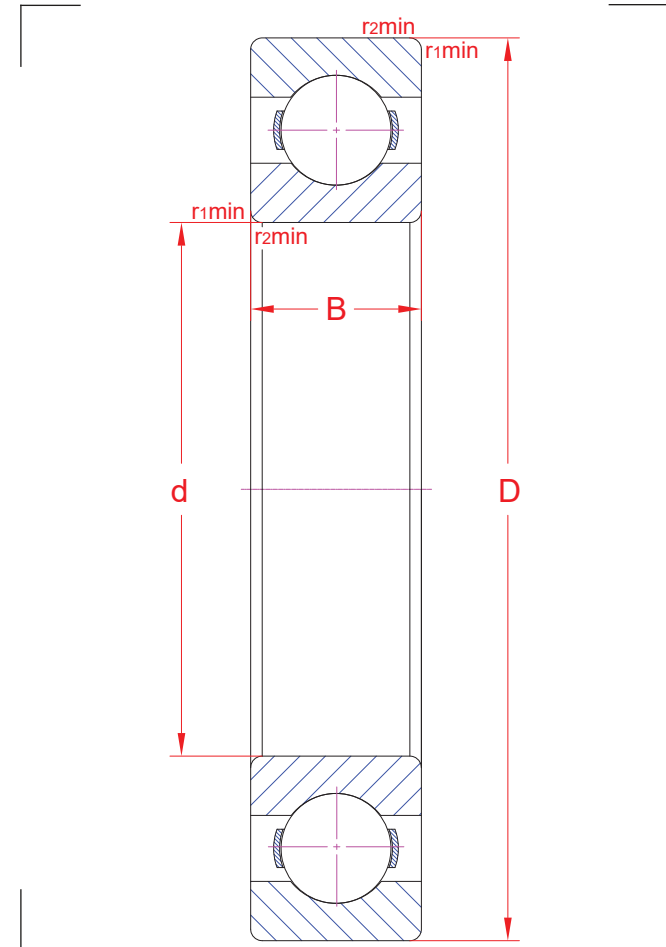
# Deep groove ball bearings

R00	GR100519	MA070519
-----	----------	----------

6044 JC3

Main boundary dimensions (mm)	
<b>d</b>	220
<b>D</b>	340
<b>B</b>	56

Technical data			
Basic load ratings (kN)	Dyn.	<b>C<sub>r</sub></b>	257
	Stat.	<b>C<sub>0r</sub></b>	303
Mass (kg)		15,4	
Cage material		Pressed steel	
Radius min (mm)	<b>r<sub>1</sub></b>	3,0	
	<b>r<sub>2</sub></b>	3,0	
	<b>r<sub>3</sub></b>	-	
	<b>r<sub>4</sub></b>	-	
Precision class		P0	
<b>e</b>		-	
Bearing clearance (mm)		C3	



## Technical notes

- Reference speed 3800 rpm
- Limiting speed 2600 rpm
- Pressed steel cage
- For general industry purpose

The sketch is for reference only and may not be representative or indicative of the actual product. Sketch scale is free.

Also refer to RKB Affidavit of Conformance for related compliance to International Standards.

Every care has been taken to ensure the accuracy of the information in the present drawing, but no liability can be accepted for any errors or omissions contained herein, or in case losses and/or damages (direct, indirect, consequential) should occur.

RKB Bearing Industries reserves the right of any amendment without notice.