

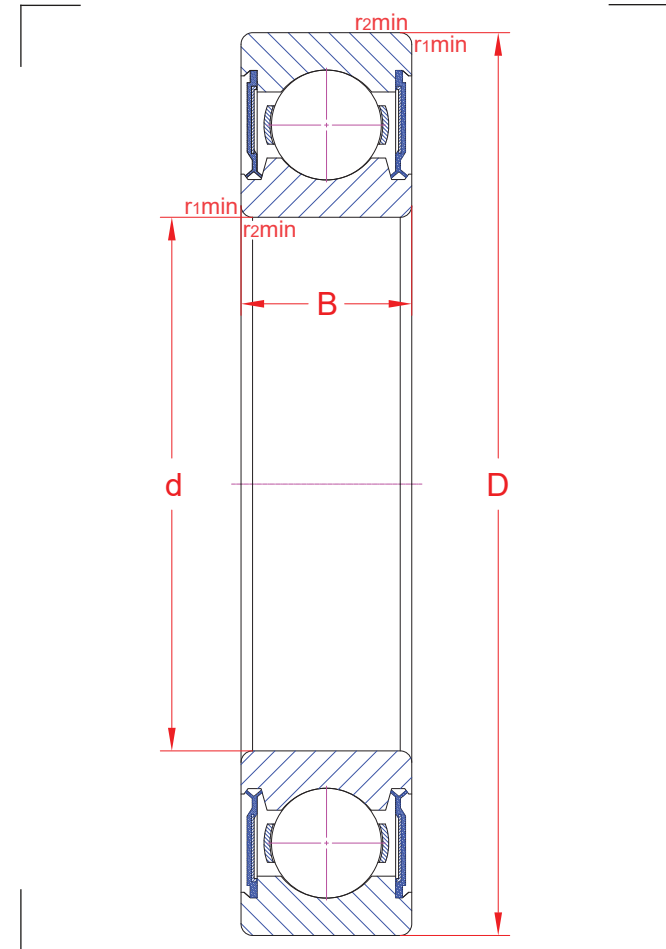
# Deep groove ball bearings

R01	LT250118	MA/VR250118
-----	----------	-------------

6310 2RS

Main boundary dimensions (mm)	
<b>d</b>	50
<b>D</b>	110
<b>B</b>	27

Technical data			
Basic load ratings (kN)	Dyn.	<b>C<sub>r</sub></b>	64
	Stat.	<b>C<sub>0r</sub></b>	37
Mass (kg)		1,1	
Cage material		Pressed steel	
Radius min (mm)	<b>r<sub>1</sub></b>	2,0	
	<b>r<sub>2</sub></b>	2,0	
	<b>r<sub>3</sub></b>	-	
	<b>r<sub>4</sub></b>	-	
Precision class		P0	
<b>e</b>		-	
Bearing clearance (mm)		CN	
Configuration/Design		63/2RS	



## Technical notes

- Limiting speed 3650 rpm
- Contact seals on both sides
- Filled with standard bearing grease
- For general industry purpose

Sketch scale is free.

Also refer to RKB Affidavit of Conformance (LJSA) for related compliance to International Standards.

Every care has been taken to ensure the accuracy of the information in the present drawing but no liability can be accepted for any errors or omissions contained herein, or in case losses and/or damages (direct, indirect, consequential) should occur.

RKB Bearing Industries reserves the right of any amendment without notice.