

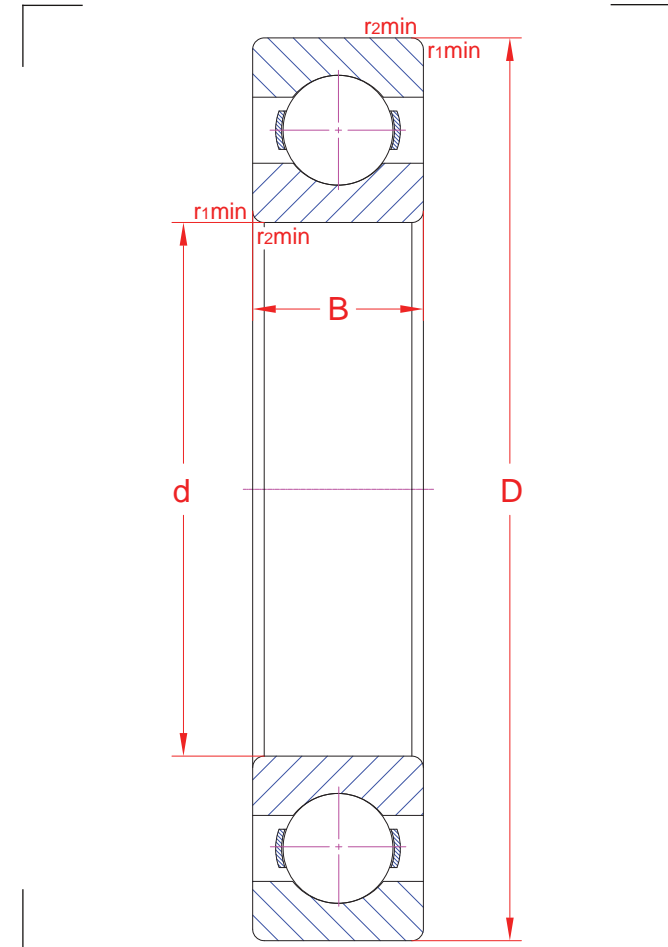
Deep groove ball bearings

R01	VR190318	MA/DC190318
-----	----------	-------------

6319 C3

Main boundary dimensions (mm)	
d	95
D	200
B	45

Technical data			
Basic load ratings (kN)	Dyn.	C_r	156
	Stat.	C_{0r}	116
Mass (kg)		5,75	
Cage material		Pressed steel	
Radius min (mm)	r₁	3,0	
	r₂	3,0	
	r₃	-	
	r₄	-	
Precision class		P0	
e		-	
Bearing clearance (mm)		C3	
Configuration/Design		63	



Technical notes

- Reference speed 6700 rpm
- Limiting speed 3800 rpm
- For general industry purpose

Sketch scale is free.

Also refer to RKB Affidavit of Conformance (LJSA) for related compliance to International Standards.

Every care has been taken to ensure the accuracy of the information in the present drawing but no liability can be accepted for any errors or omissions contained herein, or in case losses and/or damages (direct, indirect, consequential) should occur. RKB Bearing Industries reserves the right of any amendment without notice.