

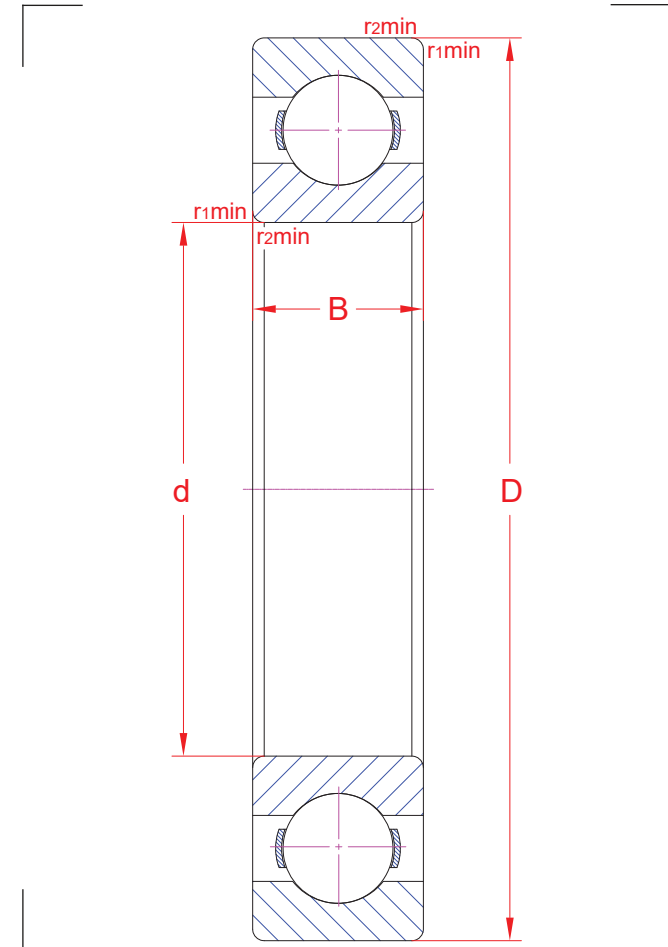
Deep groove ball bearings

R02	MA110918	GR100918
-----	----------	----------

6322 JP6C3A

Main boundary dimensions (mm)	
d	110
D	240
B	50

Technical data			
Basic load ratings (kN)	Dyn.	C_r	209
	Stat.	C_{0r}	189
Mass (kg)		9,65	
Cage material		Pressed steel	
Radius min (mm)	r₁	3,0	
	r₂	3,0	
	r₃	-	
	r₄	-	
Precision class		P6	
e		-	
Bearing clearance (mm)		C3	



Technical notes

- Reference speed 5700 rpm
- Limiting speed 3300 rpm
- Pressed steel cage
- Application optimized bearing

The sketch is for reference only and may not be representative or indicative of the actual product. Sketch scale is free.

Also refer to RKB Affidavit of Conformance for related compliance to International Standards.

Every care has been taken to ensure the accuracy of the information in the present drawing, but no liability can be accepted for any errors or omissions contained herein, or in case losses and/or damages (direct, indirect, consequential) should occur.

RKB Bearing Industries reserves the right of any amendment without notice.