

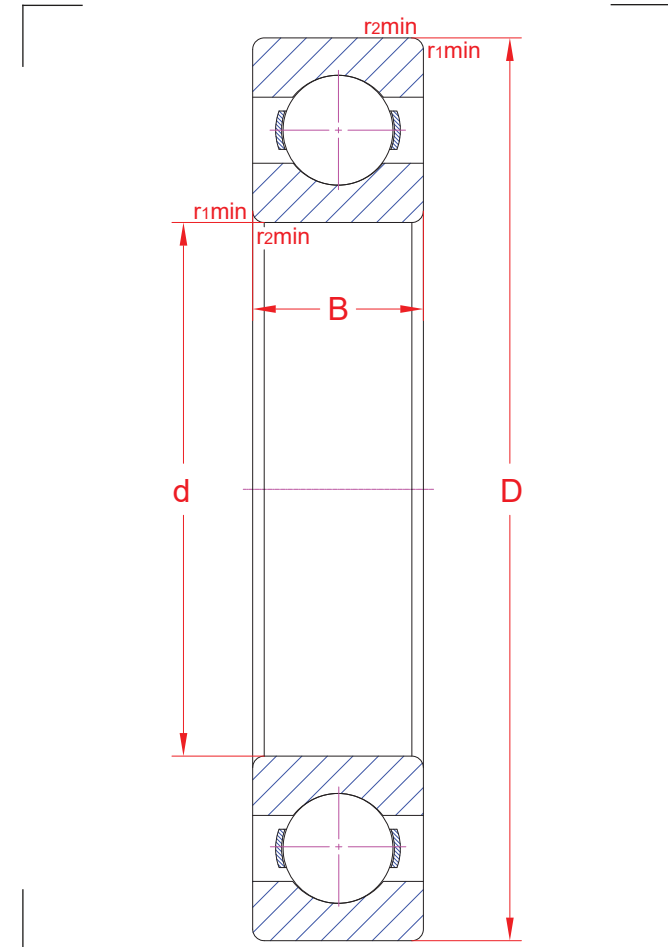
Deep groove ball bearings

R01	LT141117	VR/MA141117
-----	----------	-------------

6413 C3ABEC3

Main boundary dimensions (mm)	
d	65
D	160
B	37

Technical data			
Basic load ratings (kN)	Dyn.	C_r	120
	Stat.	C_{0r}	83,5
Mass (kg)		3,35	
Cage material		Pressed steel	
Radius min (mm)	r₁	2,1	
	r₂	2,1	
	r₃	-	
	r₄	-	
Precision class		P6/ABEC3	
e		-	
Bearing clearance (mm)		C3	
Configuration/Design		64	



Technical notes

- Reference speed 9200 rpm
- Limiting speed 4900 rpm
- For general industry purpose

Sketch scale is free.

Also refer to RKB Affidavit of Conformance (LJSA) for related compliance to International Standards.

Every care has been taken to ensure the accuracy of the information in the present drawing but no liability can be accepted for any errors or omissions contained herein, or in case losses and/or damages (direct, indirect, consequential) should occur. RKB Bearing Industries reserves the right of any amendment without notice.