

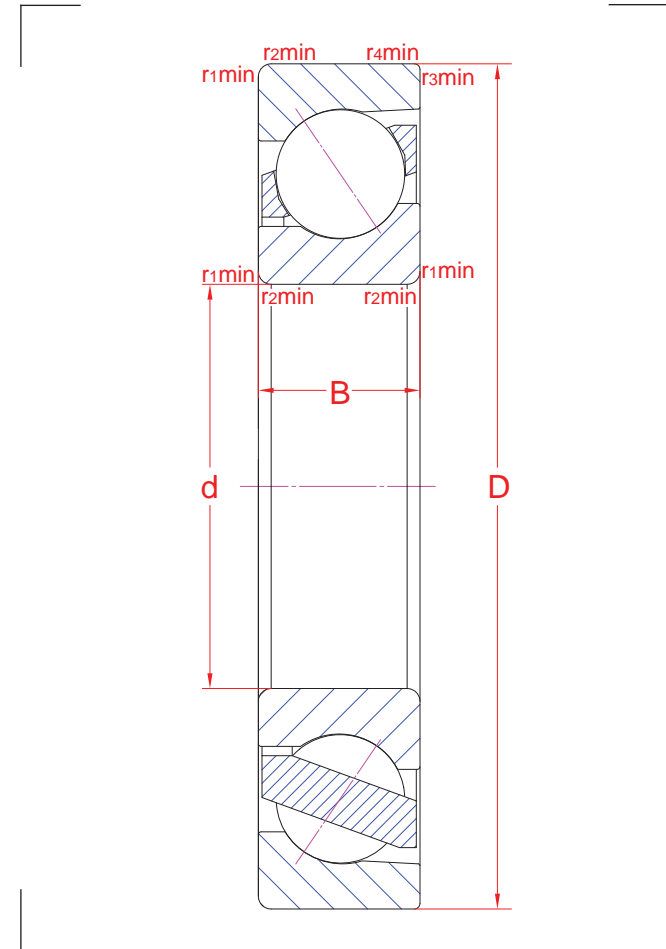
# Single row angular contact ball bearings

R01	LT090218	MA/VR090218
-----	----------	-------------

7228 BMP6

Main boundary dimensions (mm)	
<b>d</b>	140
<b>D</b>	250
<b>B</b>	42

Technical data			
Basic load ratings (kN)	Dyn.	<b>C<sub>r</sub></b>	195
	Stat.	<b>C<sub>0r</sub></b>	208
Mass (kg)		9,3	
Cage material		Brass	
Radius min (mm)	<b>r<sub>1</sub></b>	3,0	
	<b>r<sub>2</sub></b>	3,0	
	<b>r<sub>3</sub></b>	1,1	
	<b>r<sub>4</sub></b>	1,1	
Precision class		P6	
<b>e</b>		1,14	
Bearing clearance (mm)		-	
Configuration/Design		72/B/M	



## Technical notes

- Reference speed 2600 rpm
- Limiting speed 2900 rpm
- Bearing with a 40° contact angle
- Machined brass cage guided on rolling elements
- For general industry purpose

Sketch scale is free.

Also refer to RKB Affidavit of Conformance (LJSA) for related compliance to International Standards.

Every care has been taken to ensure the accuracy of the information in the present drawing but no liability can be accepted for any errors or omissions contained herein, or in case losses and/or damages (direct, indirect, consequential) should occur.

RKB Bearing Industries reserves the right of any amendment without notice.