

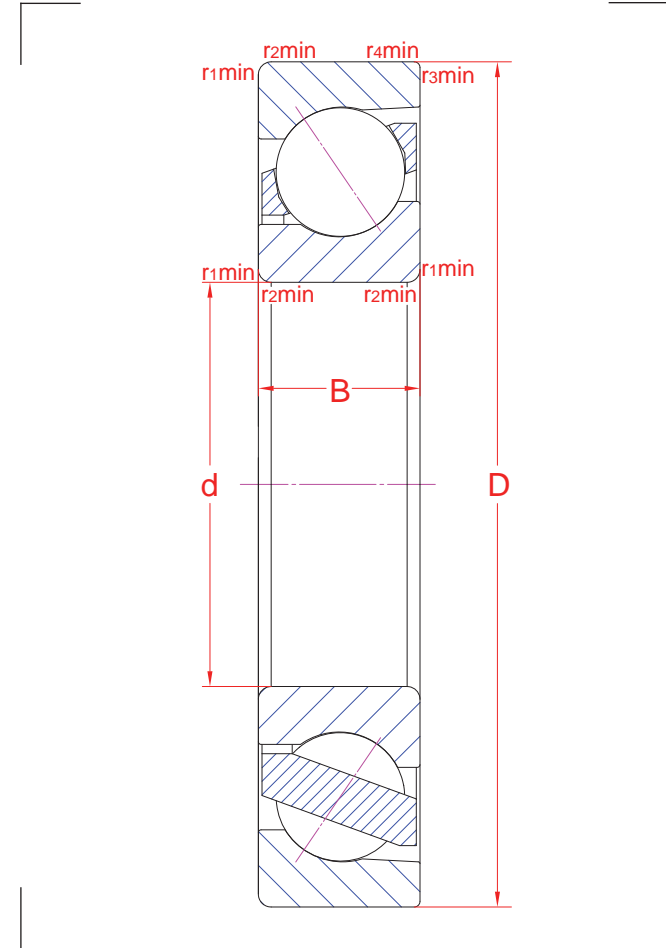
Single row angular contact ball bearings

R00	GR280319	MA270319
-----	----------	----------

7311 BECBM

Main boundary dimensions (mm)	
d	55
D	120
B	29

Technical data			
Basic load ratings (kN)	Dyn.	C_r	85,90
	Stat.	C_{0r}	59,0
Mass (kg)		1,4	
Cage material		Brass	
Radius min (mm)	r_1	2,0	
	r_2	2,0	
	r_3	1,0	
	r_4	1,0	
Precision class		P0	
e		1,14	
Bearing clearance (mm)		-	



Technical notes
<ul style="list-style-type: none"> - Reference speed 6500 rpm - Limiting speed 6300 rpm - Bearing with a 40° contact angle - Optimized internal design with reinforced execution - Machined brass cage guided on rolling elements - For general industry purpose

The sketch is for reference only and may not be representative or indicative of the actual product. Sketch scale is free.

Also refer to RKB Affidavit of Conformance for related compliance to International Standards.

Every care has been taken to ensure the accuracy of the information in the present drawing, but no liability can be accepted for any errors or omissions contained herein, or in case losses and/or damages (direct, indirect, consequential) should occur.

RKB Bearing Industries reserves the right of any amendment without notice.