

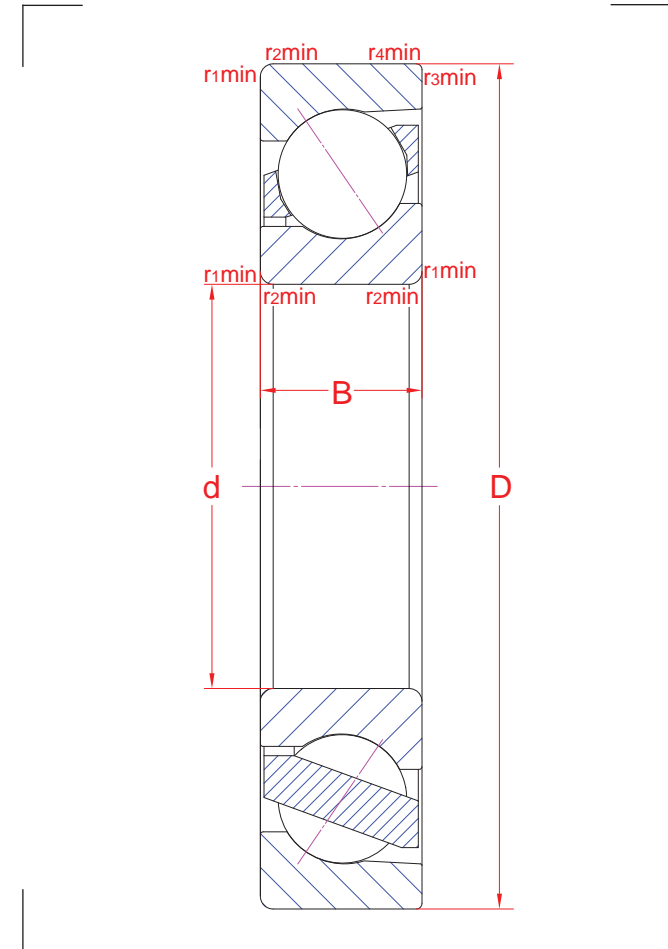
# Single row angular contact ball bearings

R01	GR100220	MA100220
-----	----------	----------

**7312 BEGAM**

Main boundary dimensions (mm)	
<b>d</b>	60
<b>D</b>	130
<b>B</b>	31

Technical data			
Basic load ratings (kN)	Dyn.	<b>C<sub>r</sub></b>	104
	Stat.	<b>C<sub>0r</sub></b>	75,4
Mass (kg)		1,75	
Cage material		Brass	
Radius min (mm)	<b>r<sub>1</sub></b>	2,1	
	<b>r<sub>2</sub></b>	2,1	
	<b>r<sub>3</sub></b>	1,1	
	<b>r<sub>4</sub></b>	1,1	
Precision class		P0	
<b>e</b>		1,14	
Bearing clearance (mm)		-	



Technical notes
<ul style="list-style-type: none"> <li>- Reference speed 6200 rpm</li> <li>- Limiting speed 6000 rpm</li> <li>- Optimized internal design with reinforced execution</li> <li>- Bearing with a 40° contact angle</li> <li>- Machined brass cage guided on rollers</li> <li>- For general industry purpose</li> </ul>

The sketch is for reference only and may not be representative or indicative of the actual product. Sketch scale is free.

Also refer to RKB Affidavit of Conformance for related compliance to International Standards.

Every care has been taken to ensure the accuracy of the information in the present drawing, but no liability can be accepted for any errors or omissions contained herein, or in case losses and/or damages (direct, indirect, consequential) should occur.

RKB Bearing Industries reserves the right of any amendment without notice.