

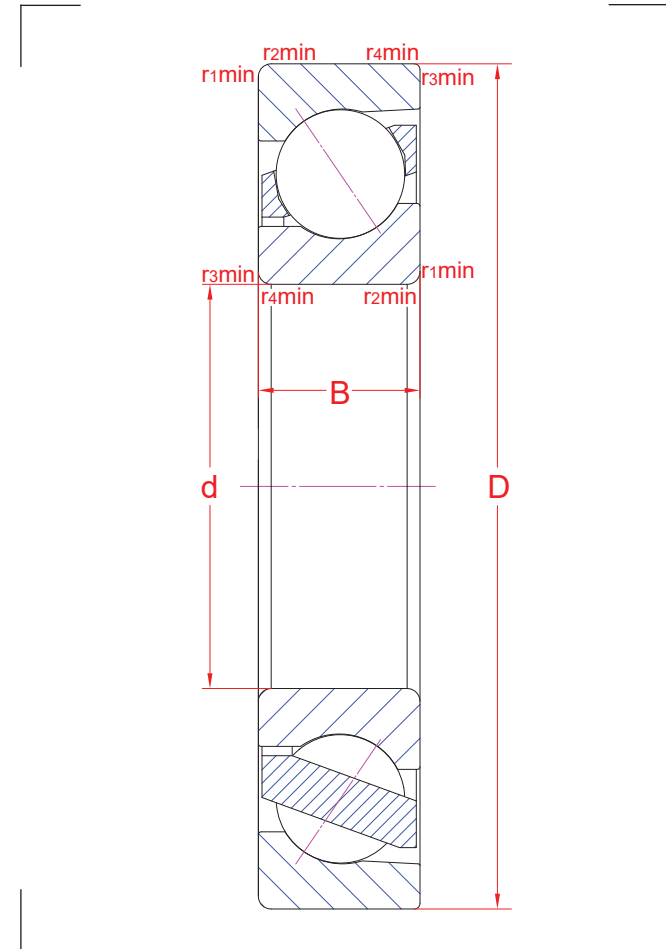
Single row angular contact ball bearings

R00	GR130619	GR/DC120619
-----	----------	-------------

7315 BMPUA

Main boundary dimensions (mm)	
d	75
D	160
B	37

Technical data			
Basic load ratings (kN)	Dyn.	C_r	132
	Stat.	C_{0r}	104
Mass (kg)		3,2	
Cage material		Brass	
Radius min (mm)	r_1	2,1	
	r_2	2,1	
	r_3	1,1	
	r_4	1,1	
Precision class		P6	
e		1,14	
Bearing clearance (mm)		-	



Technical notes

- Reference speed 5000 rpm
- Limiting speed 4800 rpm
- Bearing with a 40° contact angle
- Machined brass cage guided on rolling elements
- For general industry purpose

The sketch is for reference only and may not be representative or indicative of the actual product. Sketch scale is free.

Also refer to RKB Affidavit of Conformance for related compliance to International Standards.

Every care has been taken to ensure the accuracy of the information in the present drawing, but no liability can be accepted for any errors or omissions contained herein, or in case losses and/or damages (direct, indirect, consequential) should occur.

RKB Bearing Industries reserves the right of any amendment without notice.