

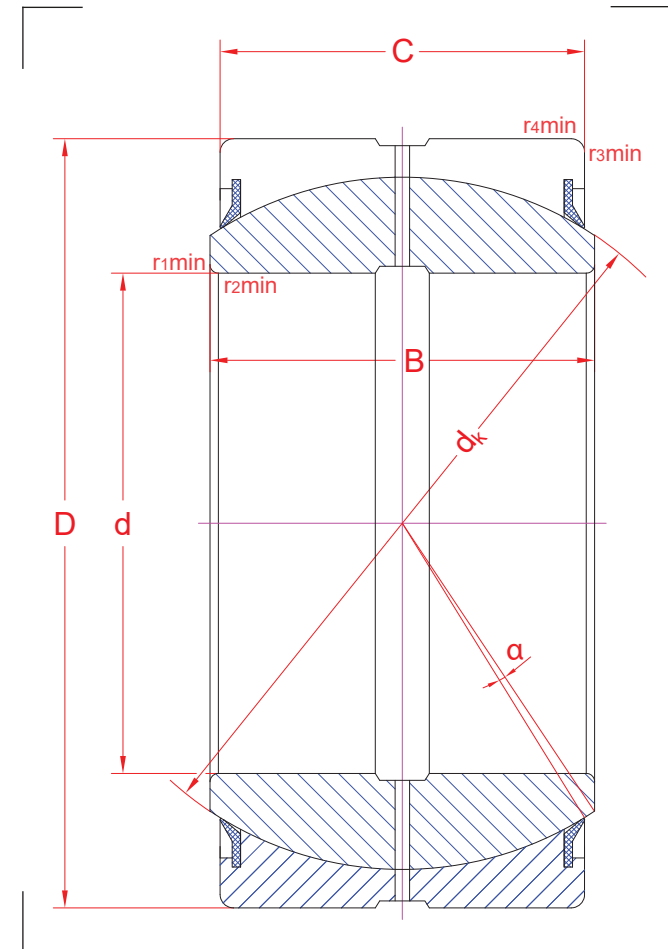
# Steel/steel sealed spherical plain bearings

R01	LT100118	VR/MA100118
-----	----------	-------------

**GE 100 ES2RS**

Main boundary dimensions (mm)	
<b>d</b>	100
<b>D</b>	150
<b>B</b>	70
<b>C</b>	55
<b>d<sub>k</sub></b>	130

Technical data			
Basic load ratings (kN)	Dyn.	<b>C<sub>r</sub></b>	608
	Stat.	<b>C<sub>0r</sub></b>	3039
Mass (kg)			4,33
Radius min (mm)		<b>r<sub>1</sub></b>	1,0
		<b>r<sub>2</sub></b>	1,0
		<b>r<sub>3</sub></b>	1,0
		<b>r<sub>4</sub></b>	1,0
Allowable misalignment angle $\alpha$ (°)			7
Bearing clearance (mm)			0,085/0,165
Configuration/Design			GE/2RS



### Technical notes

- Contact seal on both sides (double lips seal)
- Dry lubricant on outer ring's raceway
- All parts with magnesium phosphate treatment
- For general industry purpose

Sketch scale is free.  
 Also refer to RKB Affidavit of Conformance (LJSA) for related compliance to International Standards.  
 Every care has been taken to ensure the accuracy of the information in the present drawing but no liability can be accepted for any errors or omissions contained herein, or in case losses and/or damages (direct, indirect, consequential) should occur.  
 RKB Bearing Industries reserves the right of any amendment without notice.