

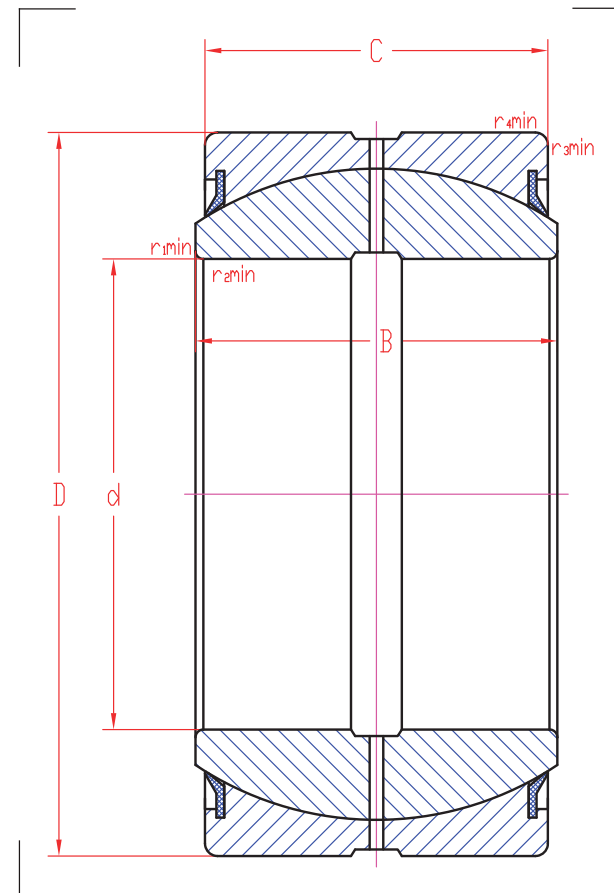
Steel/steel sealed spherical plain bearings

OV160715

GE 140 ES-2RS

Main boundary dimensions (mm)	
d	140
D	210
B	90
C	70

Technical data			
Load ratings (kN)	Dyn.	C_r	1058
	Stat.	C_{0r}	5292
Mass (kg)			11,0
Radius min (mm)	r_1	1,0	
	r_2	1,0	
	r_3	1,0	
	r_4	1,0	
Bearing clearance (mm)			0,085/0,165
Configuration/Design			GE/ES-2RS



Technical notes

- Through-hardened steel for rings (RKB SAE52100)
- Sealed with double lips seal (suffix 2RS)
- For general industry purpose

Sketch scale is free.

Also refer to RKB Affidavit of Conformance (LJSA) for related compliance to International Standards.

Every care has been taken to ensure the accuracy of the information in the present drawing but no liability can be accepted for any errors or omissions contained herein, or in case losses and/or damages (direct, indirect, consequential) should occur.

RKB Bearing Industries reserves the right of any amendment without notice.