

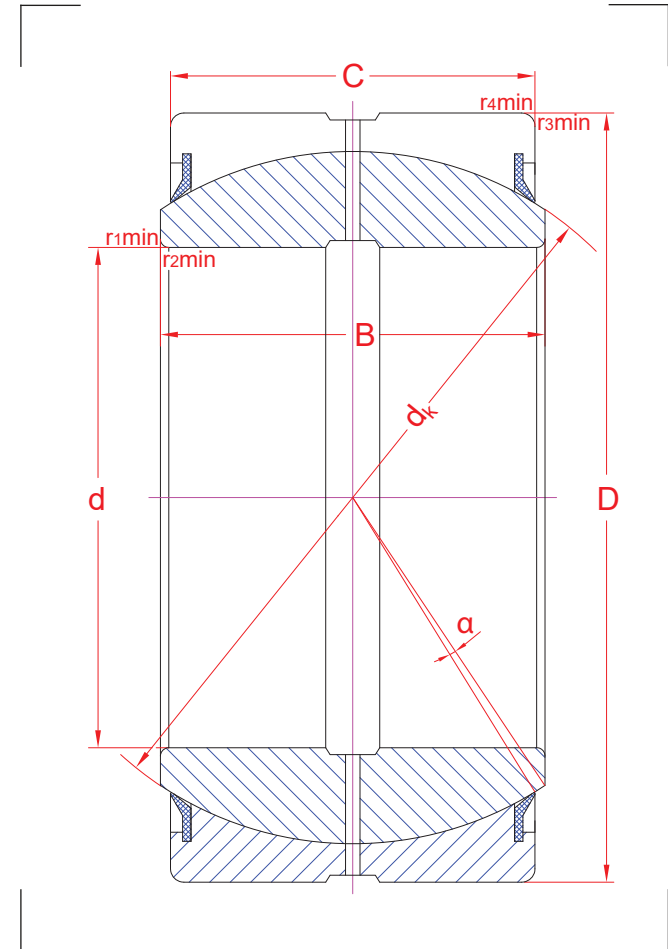
Steel/steel sealed spherical plain bearings

WR01	MA201119	GR201119
------	----------	----------

GE 260 ES2RS

Main boundary dimensions (mm)	
d	260
D	370
B	150
C	110
d_k	325

Technical data			
Basic load ratings (kN)	Dyn.	C_r	2989
	Stat.	C_{0r}	14994
Mass (kg)			51,5
Radius min (mm)	r₁	1,1	
	r₂	1,1	
	r₃	1,1	
	r₄	1,1	
Allowable misalignment angle α (°)			7
Bearing clearance (mm)			0,125/0,239



Technical notes

- Specific dynamic load factor: 98,7 N/mm²
- Specific static load factor: 494 N/mm²
- Annular groove and lubrication holes in outer and inner rings
- Contact seals on both sides
- For general industry purpose

The sketch is for reference only and may not be representative or indicative of the actual product. Sketch scale is free.

Also refer to RKB Affidavit of Conformance for related compliance to International Standards.

Every care has been taken to ensure the accuracy of the information in the present drawing, but no liability can be accepted for any errors or omissions contained herein, or in case losses and/or damages (direct, indirect, consequential) should occur.

RKB Bearing Industries reserves the right of any amendment without notice.