

Inner ring

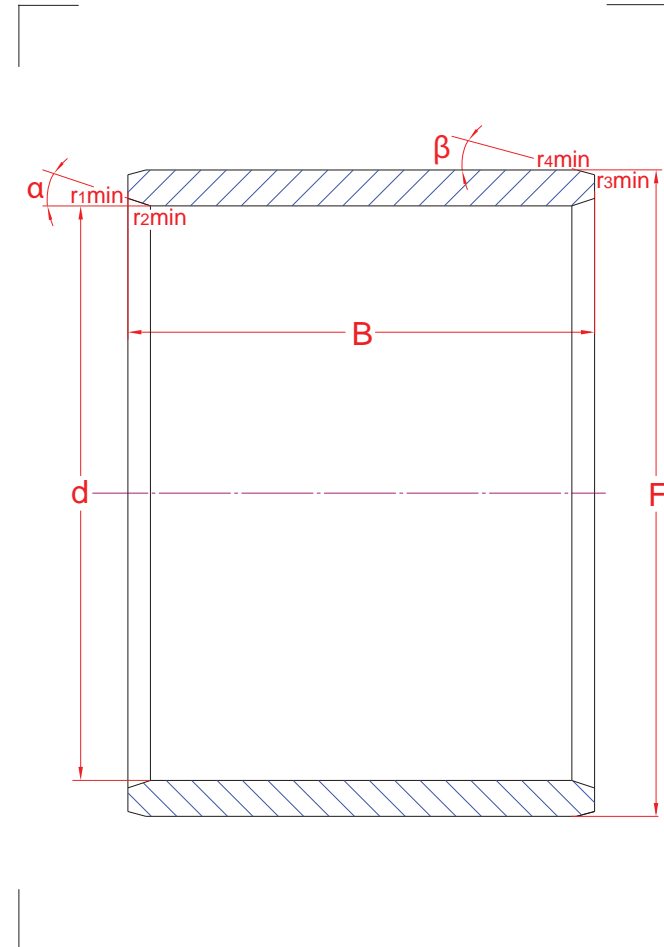
| | | |
|-----|----------|-------------|
| R03 | MA220920 | MA/DA220920 |
|-----|----------|-------------|

L 313893 A2DS1/1

| Main boundary dimensions (mm) | |
|-------------------------------|-----|
| d | 200 |
| F | 222 |
| B | 200 |

| Chamfer angles (degrees) | α | - |
|--------------------------|----------|----|
| | β | 15 |

| Technical data | | | |
|-----------------------------|-------|----------|---|
| Basic load ratings (kN) | Dyn. | C_r | - |
| | Stat. | C_{0r} | - |
| Mass (kg) | 11,3 | | |
| Cage material | - | | |
| Chamfer dimensions min (mm) | r_1 | 2,0 | |
| | r_2 | 2,0 | |
| | r_3 | - | |
| | r_4 | 6,0 | |
| Precision class | P6 | | |
| e | - | | |
| Bearing clearance (mm) | - | | |



| Technical notes |
|---|
| <ul style="list-style-type: none"> - Bainite hardened inner ring - Bearing ring heat stabilized for operating temperatures up to 200 °C |

The sketch is for reference only and may not be representative or indicative of the actual product. Sketch scale is free.

Also refer to RKB Affidavit of Conformance for related compliance to International Standards.

Every care has been taken to ensure the accuracy of the information in the present drawing, but no liability can be accepted for any errors or omissions contained herein, or in case losses and/or damages (direct, indirect, consequential) should occur.

RKB Bearing Industries reserves the right of any amendment without notice.