

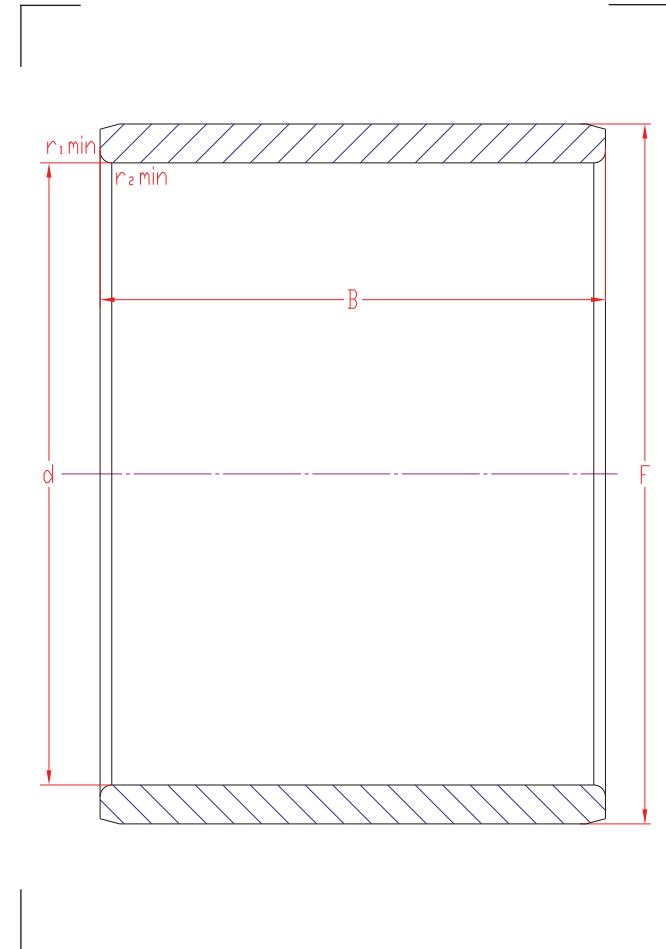
Multi row cylindrical roller bearings (inner ring)

OV161116

L 313924 A2DXS1/1

Main boundary dimensions (mm)	
d	145
F	169
B	156

Technical data		
Basic load ratings (kN)	Dyn.	C_r -
	Stat.	C_{Or} -
Mass (kg)	7,2	
Cage material	-	
Radius min (mm)	r_1	2,0
	r_2	2,0
	r_3	-
	r_4	-
Precision class	Special P6	
e	-	
Bearing clearance (mm)	-	
Configuration/Design	L/A2DX/1	



Technical notes

- In a separable bearing: separate inner ring
- One inner ring
- Chamfer on F dimension 4,0x20°
- Bainite hardened inner ring
- Bearing rings heat stabilized for operating temperatures up to 200 °C
- Rolling mill stand and steel industry applications

Sketch scale is free.

Also refer to RKB Affidavit of Conformance (LJSA) for related compliance to International Standards.

Every care has been taken to ensure the accuracy of the information in the present drawing but no liability can be accepted for any errors or omissions contained herein, or in case losses and/or damages (direct, indirect, consequential) should occur. RKB Bearing Industries reserves the right of any amendment without notice.