

# Inner ring

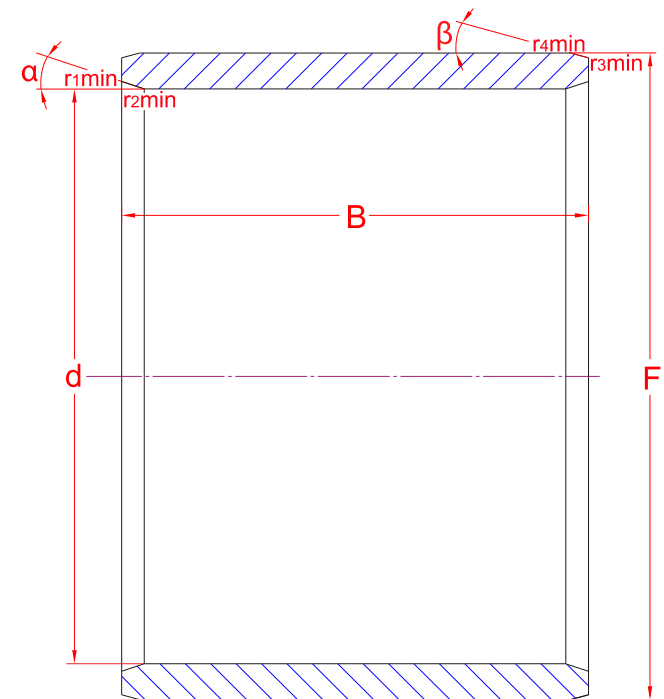
**L 314199 A2DXS1A/1**

R01	CT100718	MA/VR100718
-----	----------	-------------

Main boundary dimensions (mm)	
d	190
F	212
B	200

Chamfer angles (degrees)	$\alpha$	-
	$\beta$	15

Technical data		
Basic load ratings (kN)	Dyn. $C_r$	-
	Stat. $C_{0r}$	-
Mass (kg)	10,5	
Cage material	-	
Chamfer dimensions min (mm)	$r_1$	2,1
	$r_2$	2,1
	$r_3$	-
	$r_4$	6,0
Precision class	P6	
e	-	
Bearing clearance (mm)	-	
Configuration/Design	L/A2DX/1	



## Technical notes

- Bainite hardened inner ring
- Bearing ring heat stabilized for operating temperatures up to 200 °C
- Bearing ring for application optimized bearing

Sketch scale is free.

Also refer to RKB Affidavit of Conformance (LJSA) for related compliance to International Standards.

Every care has been taken to ensure the accuracy of the information in the present drawing but no liability can be accepted for any errors or omissions contained herein, or in case losses and/or damages (direct, indirect, consequential) should occur.

RKB Bearing Industries reserves the right of any amendment without notice.