

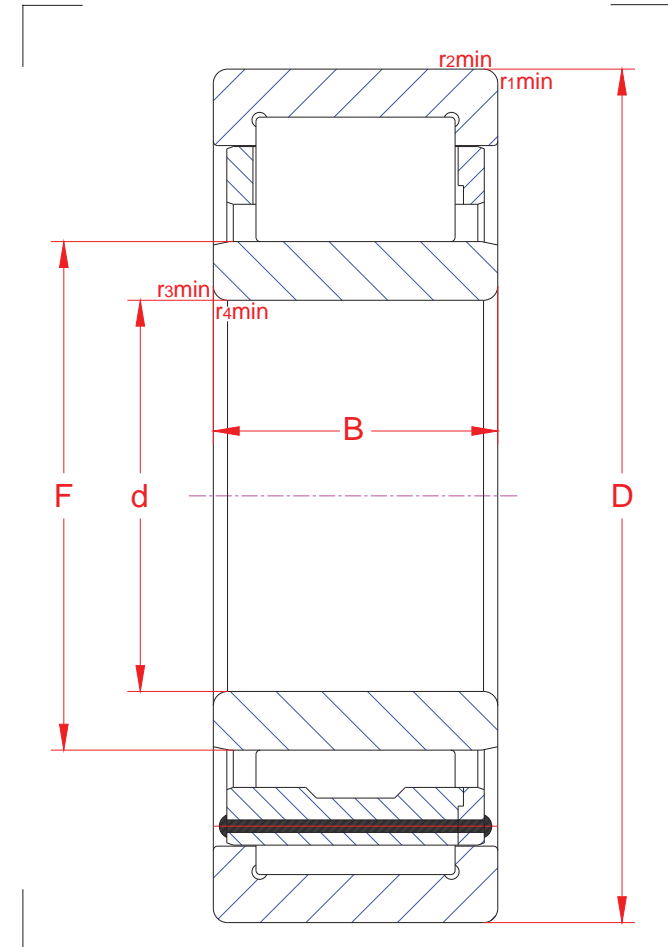
Cylindrical roller bearings

R00	GR231019	MA231019
-----	----------	----------

NU 334 MAC3/B

Main boundary dimensions (mm)	
d	170
D	360
B	72
F	220

Technical data			
Basic load ratings (kN)	Dyn.	C_r	950
	Stat.	C_{0r}	1170
Mass (kg)		37,3	
Cage material		Brass	
Radius min (mm)	r₁	4,0	
	r₂	4,0	
	r₃	4,0	
	r₄	4,0	
Precision class		P0	
e		-	
Bearing clearance (mm)		C3	



Technical notes
<ul style="list-style-type: none"> - Reference speed 1600 rpm - Limiting speed 1900 rpm - Permissible axial displacement 4,6 mm - Optimized roller profile for improved load distribution - Crowned raceways - Machined brass cage guided on outer ring - For general industry purpose

The sketch is for reference only and may not be representative or indicative of the actual product. Sketch scale is free.

Also refer to RKB Affidavit of Conformance for related compliance to International Standards.

Every care has been taken to ensure the accuracy of the information in the present drawing, but no liability can be accepted for any errors or omissions contained herein, or in case losses and/or damages (direct, indirect, consequential) should occur.

RKB Bearing Industries reserves the right of any amendment without notice.