

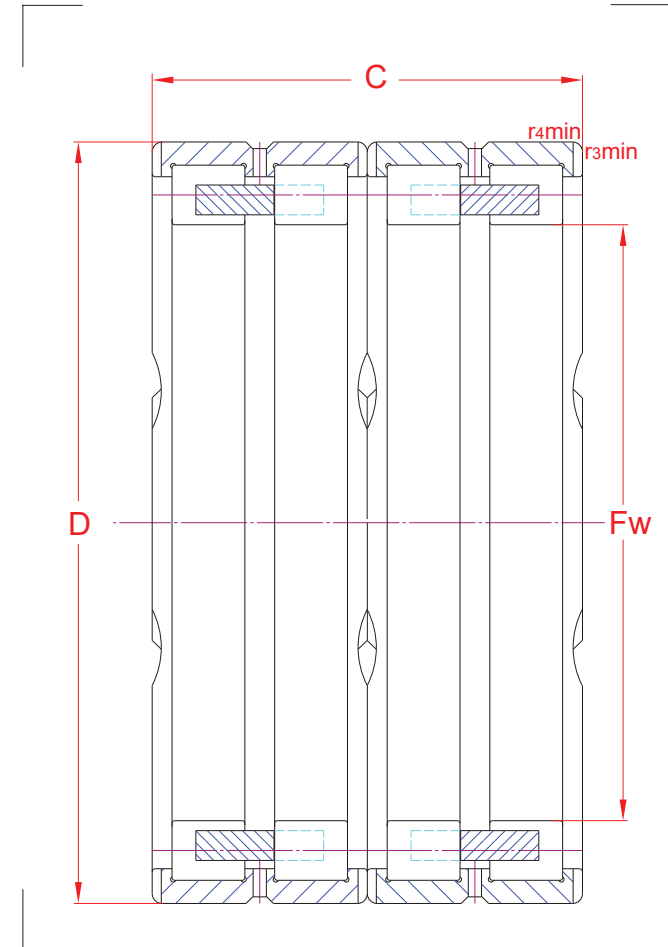
Multi row cylindrical roller bearings

R01	GR201120	MA191120
-----	----------	----------

R 314190 AF2DS1ZB/4A/S

Main boundary dimensions (mm)	
Fw	180
D	230
C	130

Technical data		
Basic load ratings (kN)	Dyn. C _r	773
	Stat. C _{0r}	1330
Mass (kg)	12,1	
Cage material	Steel	
Min chamfer dimensions (mm)	r ₁	-
	r ₂	-
	r ₃	1,5
	r ₄	1,5
Precision class	P6	
e	-	
Bearing clearance (mm)	-	



Technical notes

- Two outer rings each with three integral ribs
- Two double pronged reinforced machined steel cages guided on rollers
- Optimized roller profile for improved load distribution. Crowned raceways
- Annular groove and lubrication holes in each outer ring
- Scallop in side faces of outer rings
- Bainite hardened outer rings and rolling elements
- Bearing rings heat stabilized for operating temperatures up to 200 °C. Marked zones

The sketch is for reference only and may not be representative or indicative of the actual product. Sketch scale is free.

Also refer to RKB Affidavit of Conformance for related compliance to International Standards.

Every care has been taken to ensure the accuracy of the information in the present drawing, but no liability can be accepted for any errors or omissions contained herein, or in case losses and/or damages (direct, indirect, consequential) should occur.

RKB Bearing Industries reserves the right of any amendment without notice.