

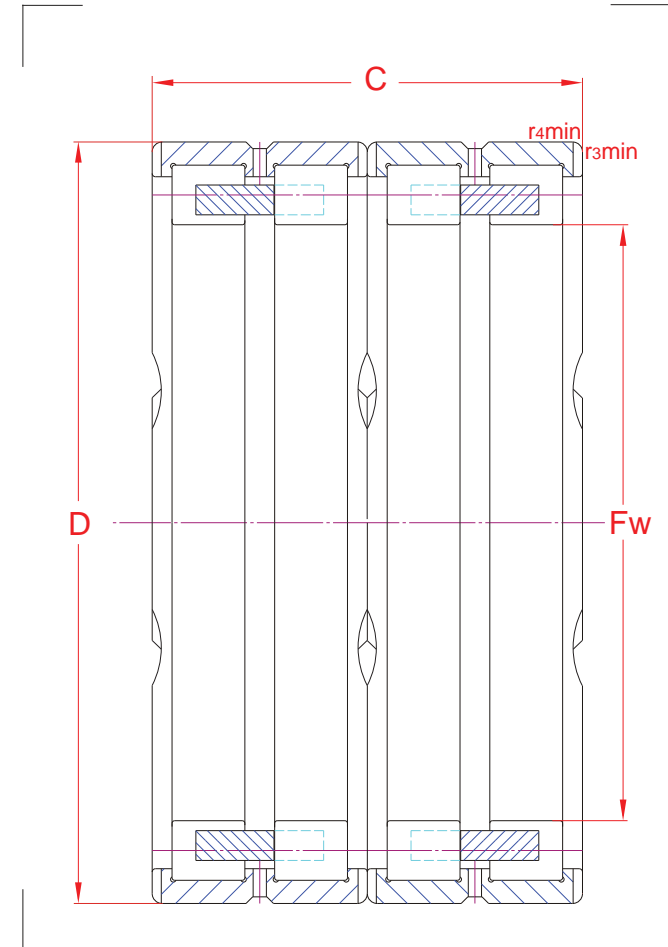
Multi row cylindrical roller bearings (outer assy)

R01	MA090920	MA/DA090920
-----	----------	-------------

R 315189 AF2DS1ZB/4B/S

Main boundary dimensions (mm)	
Fw	179
D	230
C	168

Technical data		
Basic load ratings (kN)	Dyn. C_r	1100
	Stat. C_{0r}	2180
Mass (kg)		17,5
Cage material		Steel
Min chamfer dimensions (mm)	r₁	-
	r₂	-
	r₃	2,0
	r₄	2,0
Precision class		P6
e		-
Bearing clearance (mm)		-



Technical notes

- Two outer rings each with three integral ribs
- Two double pronged reinforced machined steel cages guided on rollers
- Optimized roller profile for improved load distribution. Crowned raceways
- Annular groove and lubrication holes in outer rings
- Scallop in the side faces of outer rings
- Bainite hardened outer rings and rolling elements
- Bearing rings heat stabilized for operating temperatures up to 200 °C

The sketch is for reference only and may not be representative or indicative of the actual product. Sketch scale is free.

Also refer to RKB Affidavit of Conformance for related compliance to International Standards.

Every care has been taken to ensure the accuracy of the information in the present drawing, but no liability can be accepted for any errors or omissions contained herein, or in case losses and/or damages (direct, indirect, consequential) should occur.

RKB Bearing Industries reserves the right of any amendment without notice.