

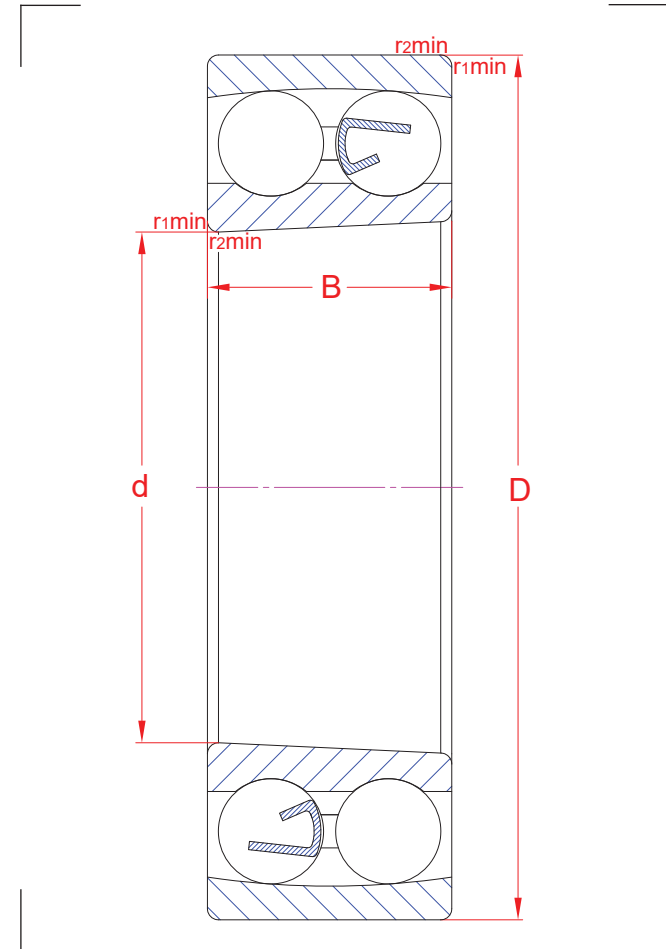
Self-aligning ball bearings

R00	MA040920	GR030920
-----	----------	----------

1213 KJ

Main boundary dimensions (mm)	
d	65
D	120
B	23

Technical data			
Basic load ratings (kN)	Dyn.	C_r	34,4
	Stat.	C_{0r}	13,7
Mass (kg)		1,1	
Cage material		Pressed steel	
Min chamfer dimensions (mm)	r₁	1,5	
	r₂	1,5	
	r₃	-	
	r₄	-	
Precision class		P0	
e		0,18	
Bearing clearance (mm)		CN	



Technical notes
<ul style="list-style-type: none"> - Reference speed 10500 rpm - Limiting speed 6000 rpm - Tapered bore, taper 1:12 - For general industry purpose

The sketch is for reference only and may not be representative or indicative of the actual product. Sketch scale is free.

Also refer to RKB Affidavit of Conformance for related compliance to International Standards.

Every care has been taken to ensure the accuracy of the information in the present drawing, but no liability can be accepted for any errors or omissions contained herein, or in case losses and/or damages (direct, indirect, consequential) should occur.

RKB Bearing Industries reserves the right of any amendment without notice.