

Four-point contact ball bearings

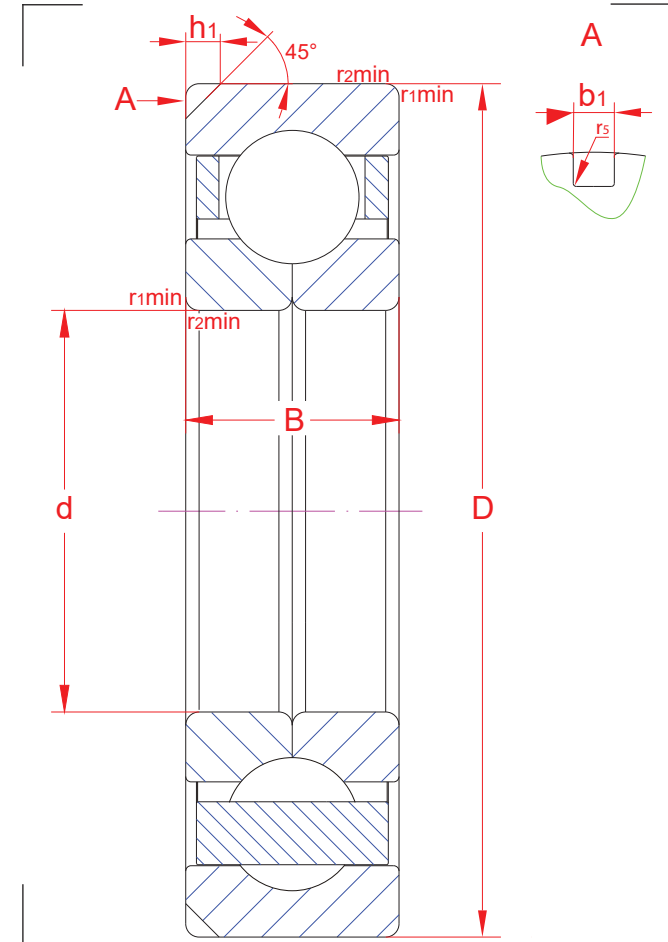
R02	MA160823	MP160823
-----	----------	----------

QJ 1952 N2MA

Main boundary dimensions (mm)	
d	260
D	360
B	46

Slot dimensions (mm)	
b₁	10,5
h₁	12,7
r_s	2,0

Technical data			
Basic load ratings (kN)	Dyn.	C_r	382,2
	Stat.	C_{0r}	709,0
Mass (kg)		14,9	
Cage material		Brass	
Min chamfer dimensions (mm)	r₁	2,1	
	r₂	2,1	
	r₃	-	
	r₄	-	
Precision class		P0	
e		0,95	
Bearing clearance (mm)		CN	



Technical notes

- Limiting speed 2200 rpm
- Bearing with a 35° contact angle
- Two locating slots in outer ring
- Machined brass cage guided on outer ring
- For general industry purpose

The sketch is for reference only and may not be representative or indicative of the actual product. Sketch scale is free.

Also refer to RKB Affidavit of Conformance for related compliance to International Standards.

Every care has been taken to ensure the accuracy of the information in the present drawing, but no liability can be accepted for any errors or omissions contained herein, or in case losses and/or damages (direct, indirect, consequential) should occur.

RKB Bearing Industries reserves the right of any amendment without notice.