

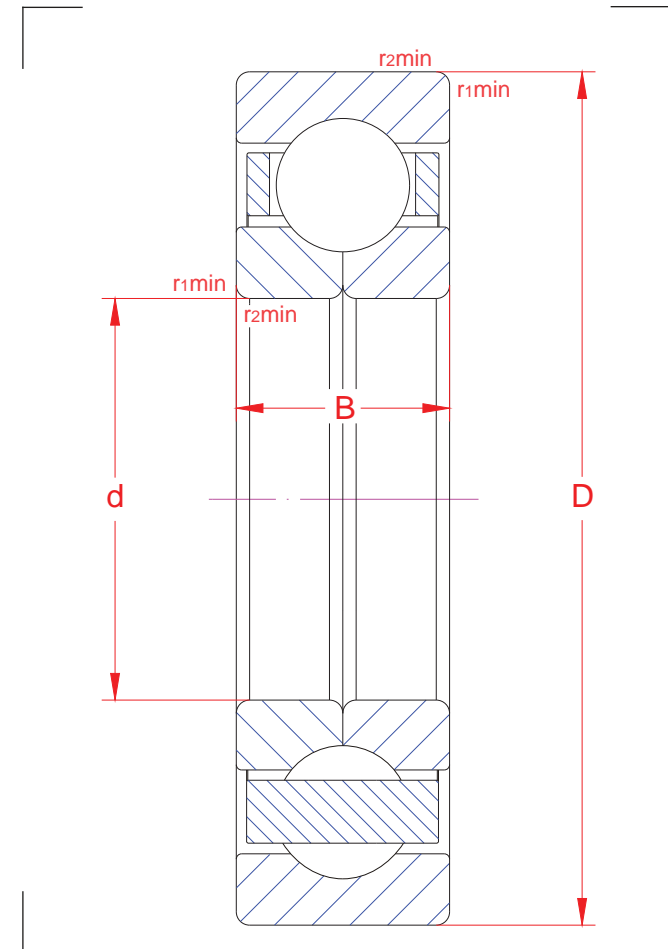
# Four-point contact ball bearings

R01	RD270718	GR260718
-----	----------	----------

**QJ 315 M**

Main boundary dimensions (mm)	
<b>d</b>	75
<b>D</b>	160
<b>B</b>	37

Technical data			
Basic load ratings (kN)	Dyn.	<b>C<sub>r</sub></b>	218,16
	Stat.	<b>C<sub>0r</sub></b>	198
Mass (kg)			3,9
Cage material			Brass
Radius min (mm)	<b>r<sub>1</sub></b>		2,1
	<b>r<sub>2</sub></b>		2,1
	<b>r<sub>3</sub></b>		-
	<b>r<sub>4</sub></b>		-
Precision class			P0
<b>e</b>			0,95
Bearing clearance (mm)			CN
Configuration/Design			QJ3/M



Technical notes
<ul style="list-style-type: none"> <li>- Reference speed 4800 rpm</li> <li>- Limiting speed 6800 rpm</li> <li>- Machined brass cage guided on rollers</li> <li>- For general industry purpose</li> </ul>

The sketch is for reference only and may not be representative or indicative of the actual product. Sketch scale is free.

Also refer to RKB Affidavit of Conformance for related compliance to International Standards.

Every care has been taken to ensure the accuracy of the information in the present drawing, but no liability can be accepted for any errors or omissions contained herein, or in case losses and/or damages (direct, indirect, consequential) should occur.

RKB Bearing Industries reserves the right of any amendment without notice.