

# Adapter Sleeves

R02	MA090322	GR090322
-----	----------	----------

OH 3144 H

## Adapter Sleeve

Main dimensions (mm)	
$d_1$	200
$d$	220
$G$	Tr 220x4
$B_1$	161
$A$	4,2
$G_2$	M6

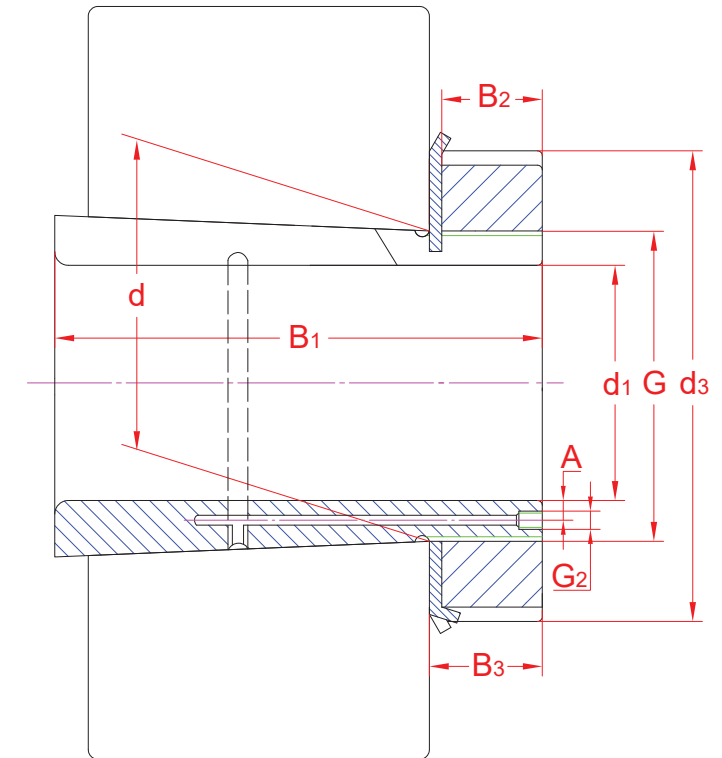
Technical data	
Mass (kg)	15,0
External taper, K	1:12

## Lock nut with locking washer

Main dimensions (mm)	
$d_3$	280
$B_2$	32
$B_3$	35

### Technical notes

- Oil duct at the threaded end
- For general industry purpose



The sketch is for reference only and may not be representative or indicative of the actual product. Sketch scale is free.

Also refer to RKB Affidavit of Conformance for related compliance to International Standards.

Every care has been taken to ensure the accuracy of the information in the present drawing, but no liability can be accepted for any errors or omissions contained herein, or in case losses and/or damages (direct, indirect, consequential) should occur.

RKB Bearing Industries reserves the right of any amendment without notice.