

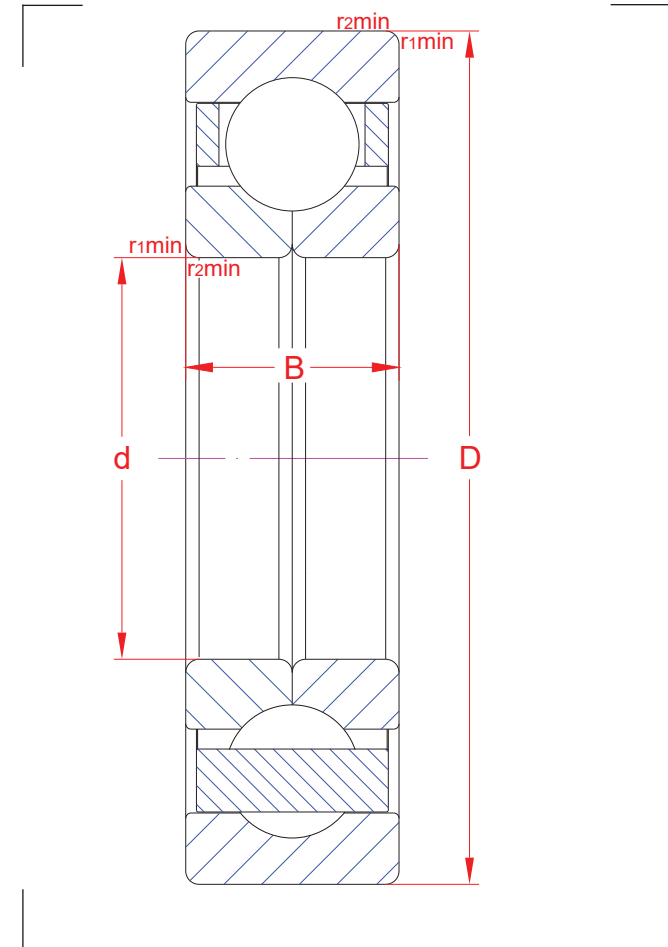
# Four-point contact ball bearings

R01	GR300920	MA300920
-----	----------	----------

QJ 211 MA

Main boundary dimensions (mm)	
<b>d</b>	55
<b>D</b>	100
<b>B</b>	21

Technical data			
Basic load ratings (kN)	Dyn.	$C_r$	85
	Stat.	$C_{0r}$	83
Mass (kg)		0,78	
Cage material		Brass	
Min chamfer dimensions (mm)	$r_1$	1,5	
	$r_2$	1,5	
	$r_3$	-	
	$r_4$	-	
Precision class		P6	
e		0,95	
Bearing clearance (mm)		CN	



## Technical notes

- Reference speed 7500 rpm
- Limiting speed 9700 rpm
- Bearing with a 35° contact angle
- Machined brass cage guided on outer ring
- For general industry purpose

The sketch is for reference only and may not be representative or indicative of the actual product. Sketch scale is free.

Also refer to RKB Affidavit of Conformance for related compliance to International Standards.

Every care has been taken to ensure the accuracy of the information in the present drawing, but no liability can be accepted for any errors or omissions contained herein, or in case losses and/or damages (direct, indirect, consequential) should occur.

RKB Bearing Industries reserves the right of any amendment without notice.