

Four-point contact ball bearings

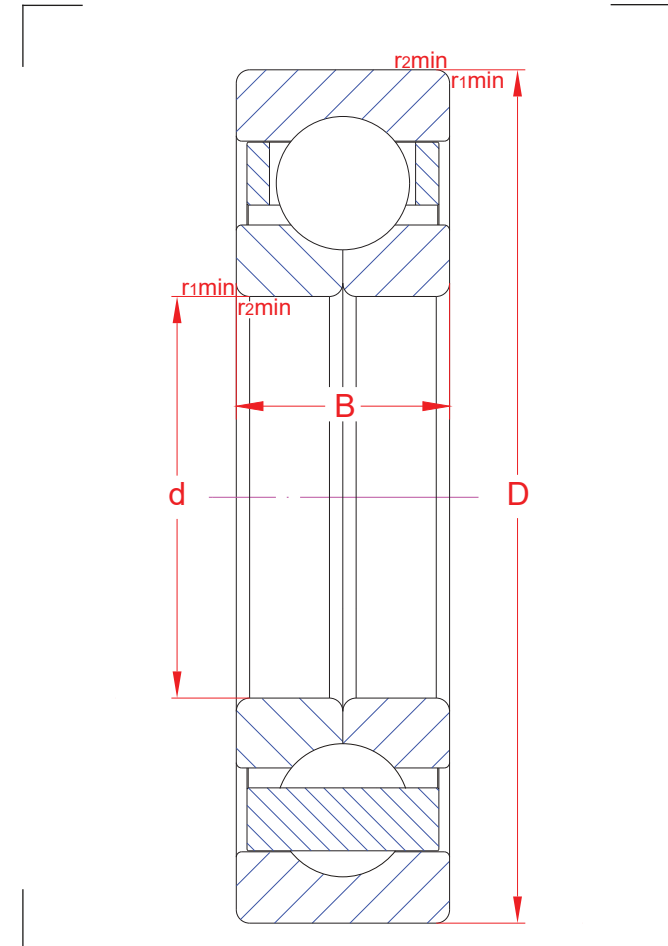
R01	RD010818	GR300718
-----	----------	----------

QJ 215 MA

Main boundary dimensions (mm)	
d	75
D	130
B	25

Technical data			
Basic load ratings (kN)	Dyn.	C_r	125
	Stat.	C_{0r}	130
Mass (kg)		1,45	
Cage material		Brass	
Radius min (mm)	r₁	1,5	
	r₂	1,5	
	r₃	-	
	r₄	-	
Precision class		P0	
e		0,95	
Bearing clearance (mm)		CN	
Configuration/Design		QJ2/MA	

Technical notes
<ul style="list-style-type: none"> - Reference speed 5700 rpm - Limiting speed 7700 rpm - Machined brass cage guided on outer ring - For general industry purpose



The sketch is for reference only and may not be representative or indicative of the actual product. Sketch scale is free.

Also refer to RKB Affidavit of Conformance for related compliance to International Standards.

Every care has been taken to ensure the accuracy of the information in the present drawing, but no liability can be accepted for any errors or omissions contained herein, or in case losses and/or damages (direct, indirect, consequential) should occur.

RKB Bearing Industries reserves the right of any amendment without notice.