

Withdrawal sleeves

R01

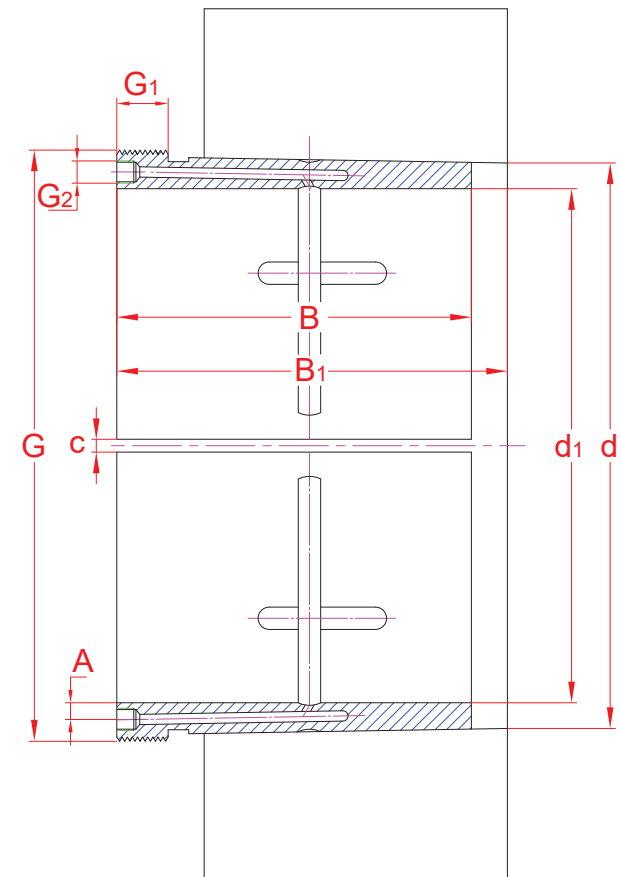
MA280423

MP280423

AOH 241/500

Main dimensions (mm)	
d_1	480
d	500
G	Tr 530x6
B	360
B_1	383
G_1	35
G_2	G 1/4
A	9
c	8

Technical data	
Mass (kg)	63,0
External taper, K	1:30



Technical notes

- Oil duct at the threaded end
- For general industry purpose

The sketch is for reference only and may not be representative or indicative of the actual product. Sketch scale is free.

Also refer to RKB Affidavit of Conformance for related compliance to International Standards.

Every care has been taken to ensure the accuracy of the information in the present drawing, but no liability can be accepted for any errors or omissions contained herein, or in case losses and/or damages (direct, indirect, consequential) should occur.

RKB Bearing Industries reserves the right of any amendment without notice.